

EST3 Remote Annunciator Doors

Description

This document provides installation instructions for the remote annunciator doors listed below.

Model	Description
3-RLCM/D	Door with window for the 3-LCDANN semiflush and surface mount cabinets
3-4ANN/D	Door with window for the 4ANN semiflush and surface mount cabinets
3-6ANN/D	Door with window for the 6ANN semiflush and surface mount cabinets
3-10ANN/D	Door with window for the 10ANN semiflush and surface mount cabinets

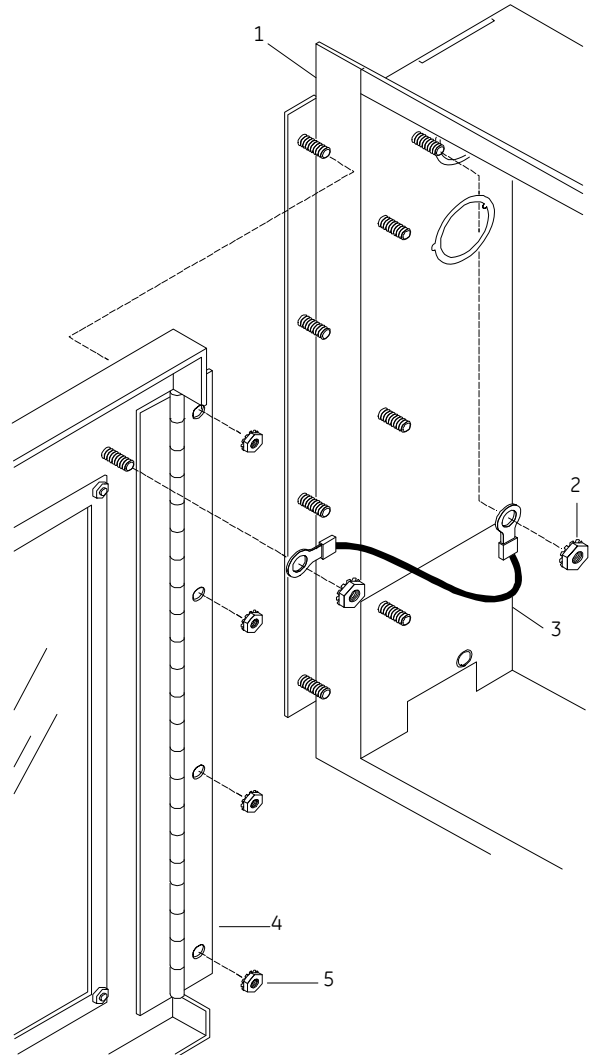
The remote annunciator cabinet door assembly consists of an inner door and an outer door. The outer door has a viewing window and is secured in the closed position with a key lock. The inner door provides mounting space for the panel electronics and is secured in the closed position with a captive screw.

Installation

1. With the wall box securely mounted, attach the outer door to the outer door mounting studs as shown in Figure 1.
2. Connect the ground strap to the ground lugs on the outer door and the wall box.
3. For semiflush mounted wall boxes, attach the inner door to the inner door mounting studs as shown in Figure 2.

For surface mounted wall boxes, screw the inner door to the mounting holes.

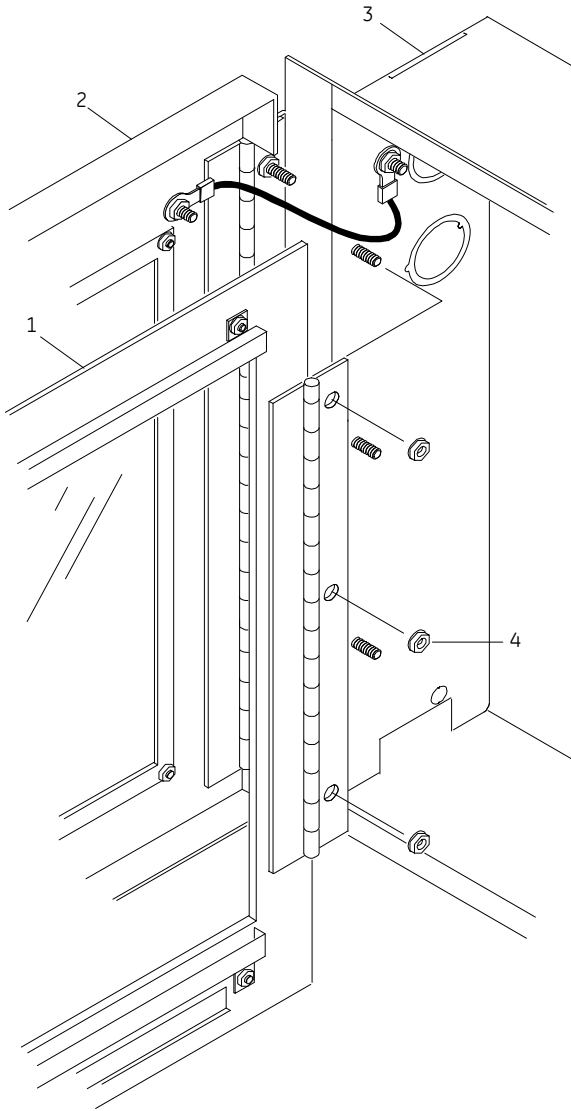
Figure 1: Typical outer door installation



- 1 Semiflush remote annunciator cabinet wall box
- 2 8-32 lock nut (2 places)
- 3 Ground strap
- 4 Outer door
- 5 6-32 lock nut (4 places)

Figure 2 shows how the inner door attaches to a wall box designed for semiflush mount applications. Surface mount wall boxes use self-tapping screws and predrilled holes to attach the inner door to the wall box.

Figure 2: Typical inner door installation



- 1 Inner door
- 2 Outer door
- 3 Semiflush remote annunciator cabinet wall box
- 4 6-32 lock nut (3 places)