



3-ASU and 3-ASU/4 Audio Source Unit Installation Sheet

Description

The 3-ASU and 3-ASU/4 provide controls for emergency paging. The 3-ASU/4 also provides a four-slot rail for installing local rail modules.

Both units can store and play back prerecorded messages and have inputs for connecting remote microphones and MN-FVPN VoIP Encoder/Decoder modules.

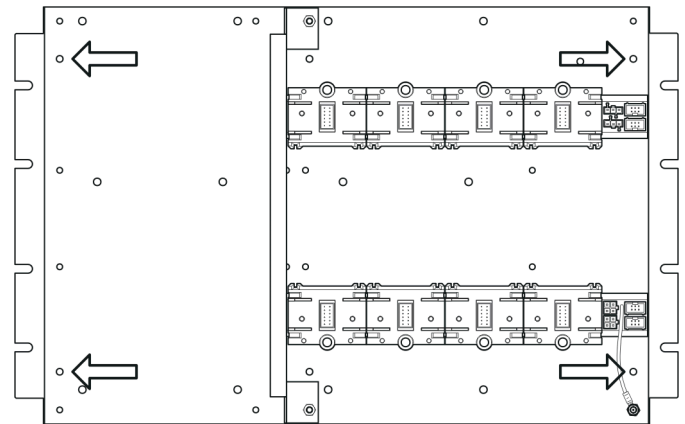
The 3-ASU and 3-ASU/4 require one chassis space in an enclosure. The 3-ASU includes a filler plate that mounts on the cabinet inner door to prevent access to the electronics.

Installation

WARNING: Remove all sources of power from the cabinet before installing or removing components. Failure to do so may result in serious injury or loss of life.

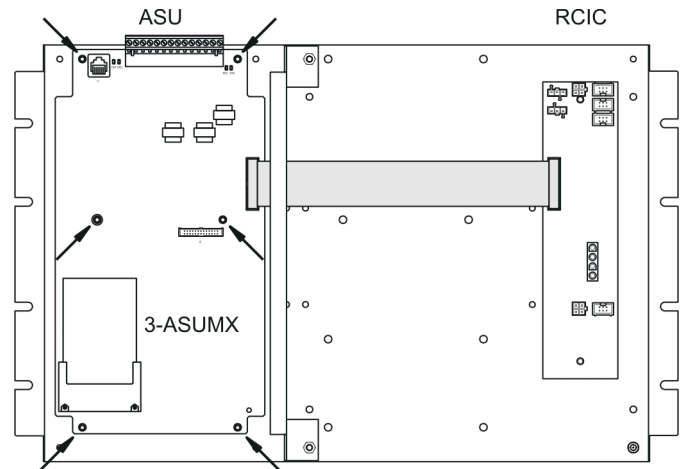
1. Attach the chassis to the backbox using the hardware provided. Align the backbox mounting studs with the holes indicated in Figure 1.
2. Attach the ASU to the chassis using six 6/32 x 3/8 pan head screws. Press the RCIC card onto the PEM studs. See Figure 2.
3. Connect the ribbon cable (P/N 250195-01) between the ASU card and the RCIC card.
4. If used, install the 3-ASUMX memory card. Make sure the write protect switch is in the "off" or "write enabled" position.
5. Connect the RCIC card to the other chassis rail assemblies. See Figure 6 or Figure 7.
6. Plug the ribbon cable (P/N 250194-00) from the 3-ASU cover assembly into J3 on the ASU card. See Figure 3.
7. Lift the 3-ASU cover assembly onto the chassis mounting studs then attach it with the locknuts provided in the hardware kit. See Figure 4.

Figure 1: Chassis mounting diagram



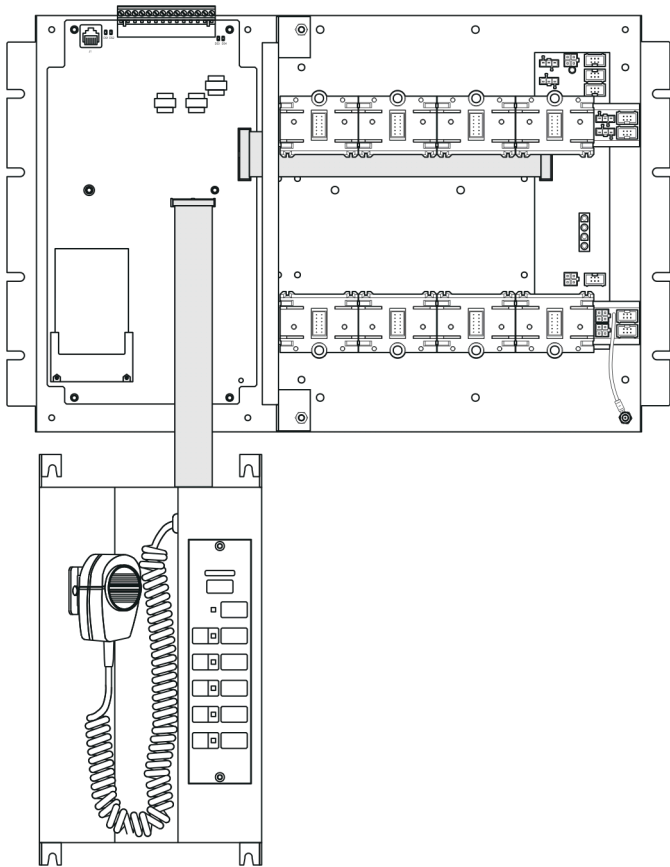
Note: 3-ASU/4 chassis shown.

Figure 2: Circuit board mounting diagram



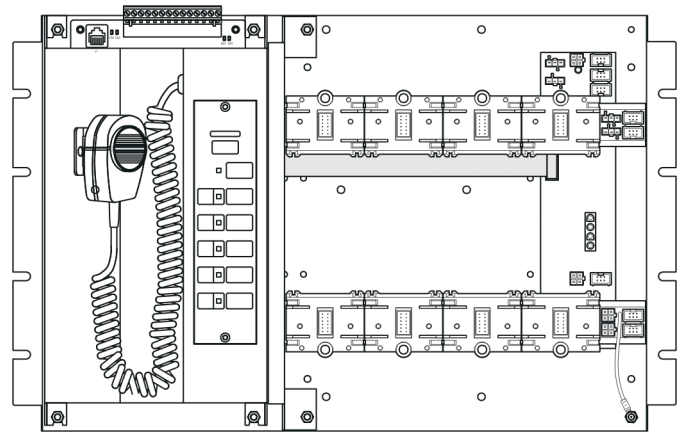
Note: 3-ASU chassis shown.

Figure 3: Cover installation



Note: 3-ASU/4 chassis shown.

Figure 4: Installation complete



Note: 3-ASU/4 chassis shown.

Wiring

Wire the 3-ASU and 3-ASU/4 as shown in Figure 5, Figure 6, and Figure 7.

Notes

- All wiring is supervised and power-limited.
- If a 3-RS485 card is not installed, connect AUDIO DATA PRIMARY on the ASU card to AUDIO A OUT on the 3-CPUx card. See Figure 5.
- If a 3-RS485 card is installed, connect AUDIO DATA PRIMARY on the ASU card to AUDIO A IN on the 3-CPUx card.
- Wiring from a 3-REMICA or 3-REMICP must be shielded and enclosed in conduit. See Figure 5.
- All shields must be continuous and insulated from ground, except at the originating panel.
- The REMOTE input is for MNEC applications only. Not for supplemental use.

Figure 5: ASU card wiring diagram

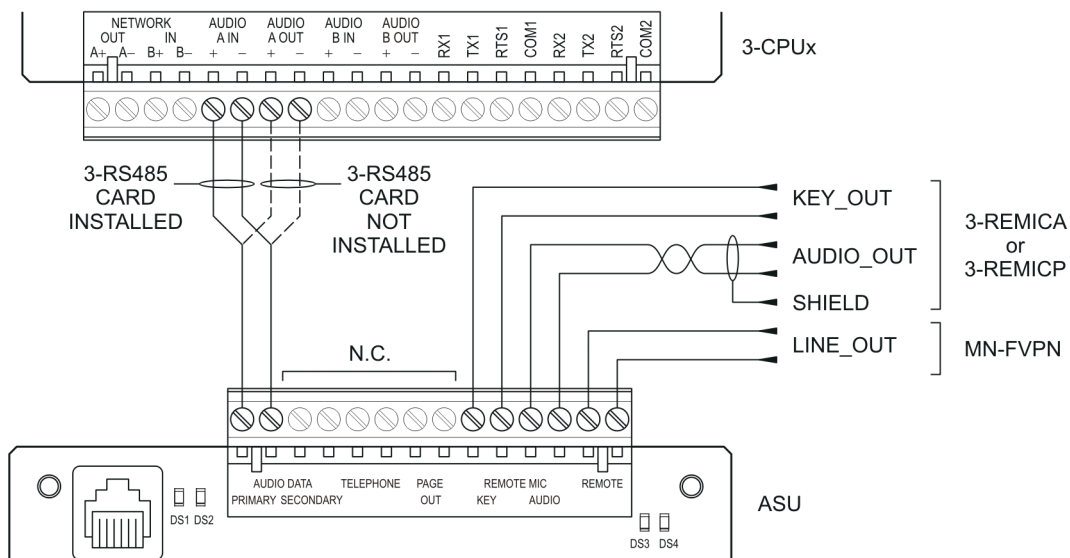


Figure 6: 3-ASU RCIS card wiring diagram

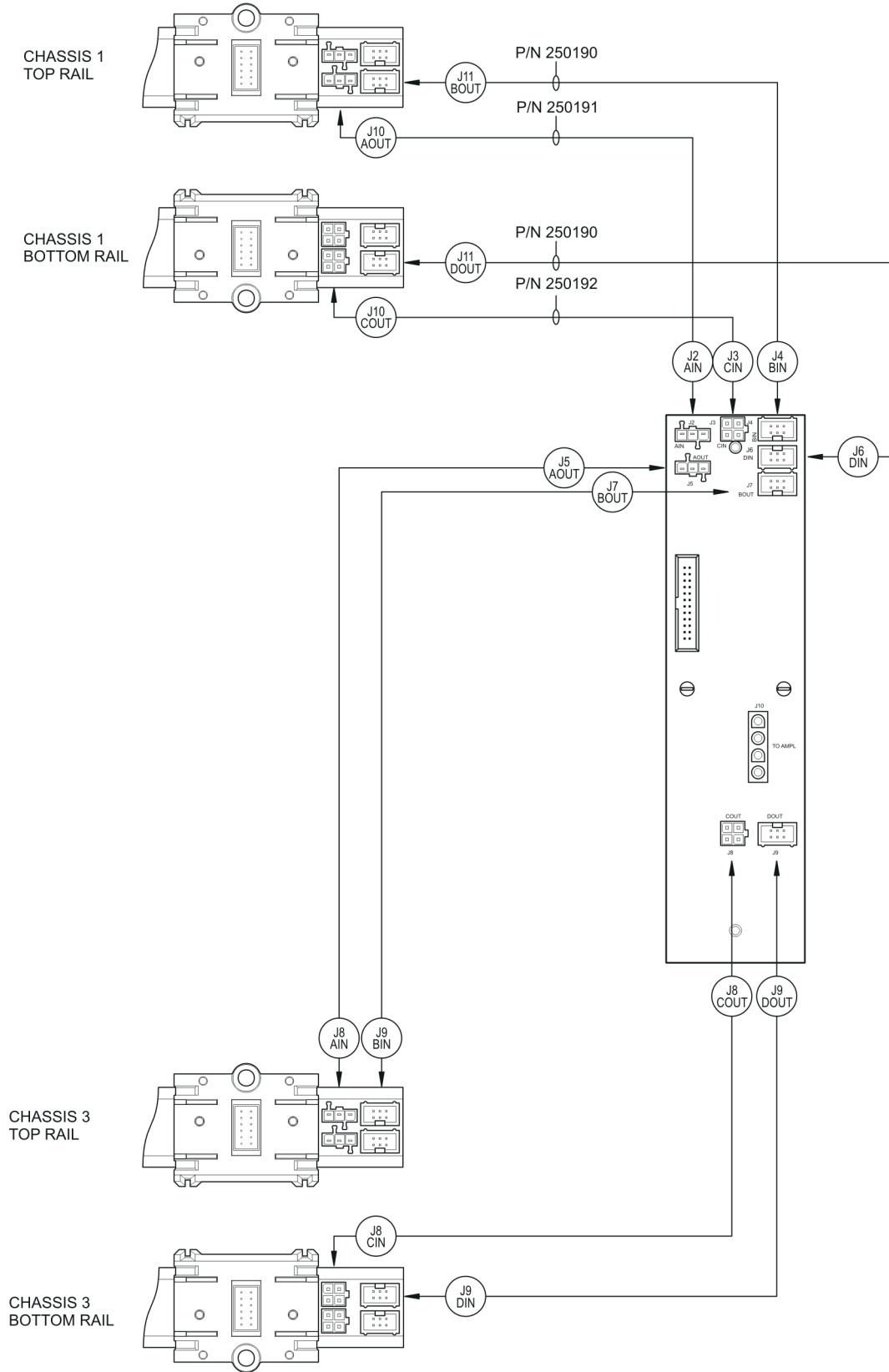
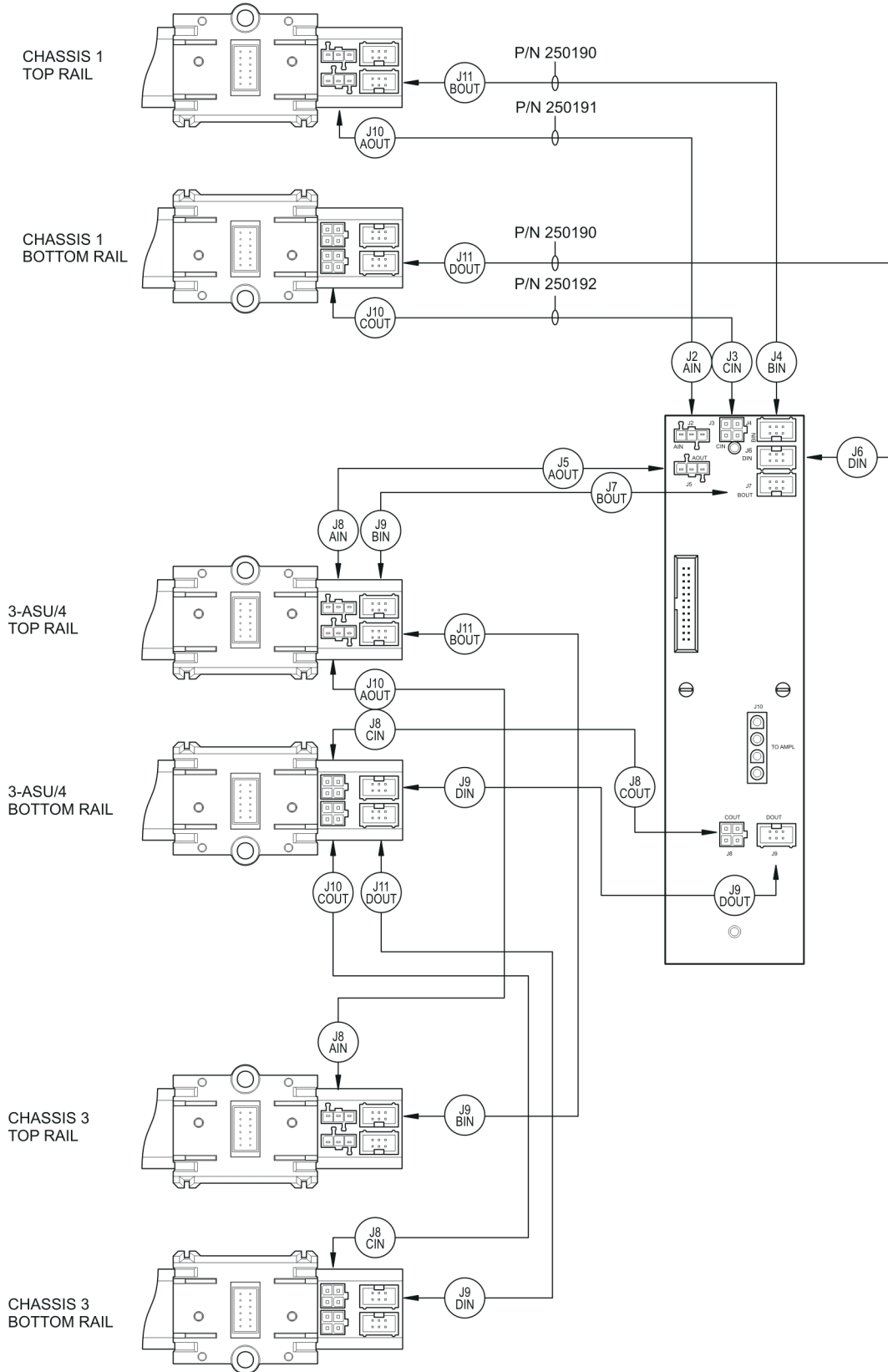


Figure 7: 3-ASU/4 RCIC card wiring diagram



Specifications

Voltage	24 VDC
Current	
Standby	80 mA
Alarm	80 mA
Ground fault impedance	0.1 Ω
Wire size	22 to 12 AWG (0.5 to 2.5 mm ²)
Dimensions	12.0 x 19.0 x 5.25 inches (30.48 x 48.26 x 13.34 cm)
Mounting	One chassis space
Audio channels	8 simultaneous
Audio inputs	Local microphone (isolated and supervised) Remote microphone (isolated and supervised) Firefighter's telephone (isolated and supervised) Remote audio (isolated and supervised)
Prerecorded message storage	Two minutes expandable to 100 minutes with optional 3-ASUMX/nn memory card
Operating environment	
Temperature	32 to 120°F (0 to 49°C)
Humidity	0 to 93% RH, noncondensing at 90°F (32°C)

Contact information

For contact information, see www.edwardsutcfs.com.

