

# 3-CAB Series Equipment Enclosure Doors Installation Sheet

## Description

The 3-CAB Series Equipment Enclosure Doors consist of an inner and outer door. The outer door is secured with a key lock. A hinged inner door isolates the operator from the panel electronics and wiring. The doors can be mounted on either side of the back box for left-open or right-open operation.

Available 3-CAB series models are listed below.

Model	Name
3-CAB7D	Grey door with a window for CAB7B backboxes
3-CAB7DR	Red door with a window for CAB7B backboxes
3-CAB14D	Grey door with a window for CAB14B backboxes
3-CAB14DR	Red door with a window for CAB14B backboxes
3-CAB21D	Grey door with a window for CAB21B backboxes
3-CAB21DR	Red door with a window for CAB21B backboxes

## Installation

Install this device in accordance with applicable national and local codes, ordinances, and regulations.

These instructions are for left-hand mounting of the outer door. For right-hand mounting, attach the backbox hardware, door hardware, and the door lock to the opposite side. Refer to Figure 1 through Figure 5 during installation procedures.

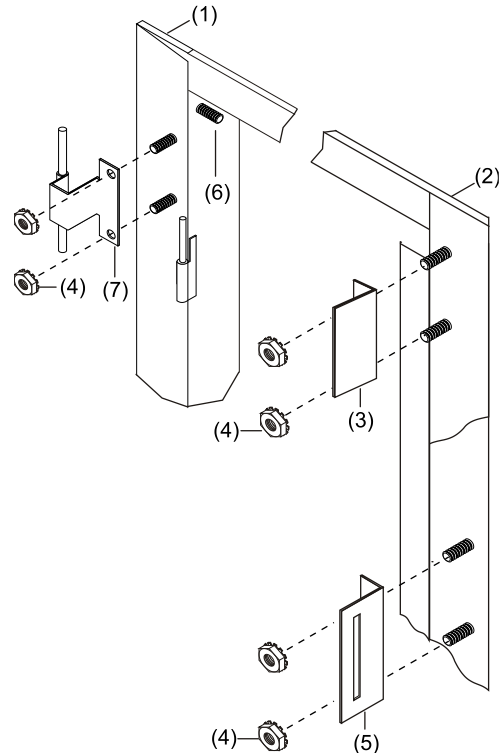
### To install the backbox hardware:

1. With the backbox securely mounted, attach the lock striker plate to the middle mounting studs on the back box right flange. Secure using the hardware provided (see Figure 1).
2. Attach the door stops to the top and bottom mounting studs on the back box right flange. Secure using the hardware provided.
3. Attach the outer door hinge pins to the mounting studs on the backbox left flange. Secure using the hardware provided.

### To install the outer door hardware:

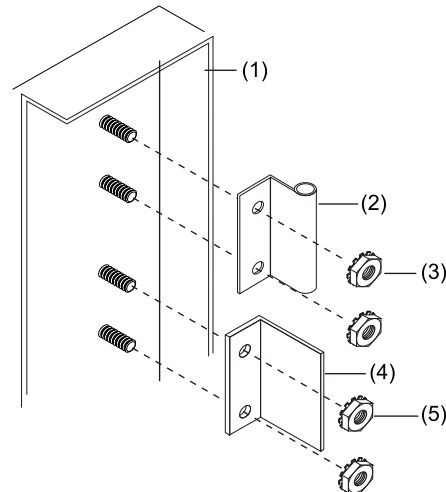
1. Place the outer door on a flat surface with the inside facing up.
2. Attach the outer door hinges to the top and bottom mounting studs on the outer door. Secure using the hardware provided (see Figure 2).

Figure 1: Backbox hardware installation



- |                          |                               |
|--------------------------|-------------------------------|
| (1) Backbox left flange  | (5) Lock striker plate        |
| (2) Backbox right flange | (6) Ground stud               |
| (3) Door stop (2X)       | (7) Outer door hinge pin (2X) |
| (4) #8-32 K-nut (10X)    |                               |

Figure 2: Outer door hardware installation



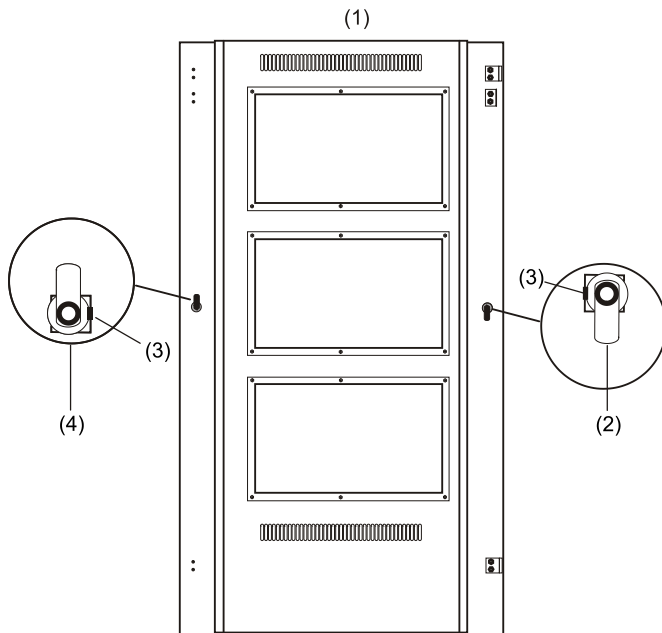
- |                           |                      |
|---------------------------|----------------------|
| (1) Outer door            | (4) Hinge stop       |
| (2) Outer door hinge (2X) | (5) #8-32 K-nut (2X) |
| (3) #8-32 K-nut (4X)      |                      |

**To assemble the outer door lock for right-hand operation:**

**Note:** The door lock for the 3-CAB series doors is preinstalled for left-hand operation. Use the following procedures to change from left-hand to right-hand door lock operation.

1. Place the outer door on a flat surface with the inside facing up.
2. Remove the retaining clip securing the door lock, and then remove the door lock (see Figure 3).
3. Insert the door lock through the key hole opposite the hinges, with the latch pointing towards the bottom of the door (see Figure 3).
4. Secure the door lock with the retaining clip.

**Figure 3: Outer door lock installation**



- |                                     |                                    |
|-------------------------------------|------------------------------------|
| (1) Outer door (inside view)        | (3) Retaining clip                 |
| (2) Door lock (right-hand mounting) | (4) Door lock (left-hand mounting) |

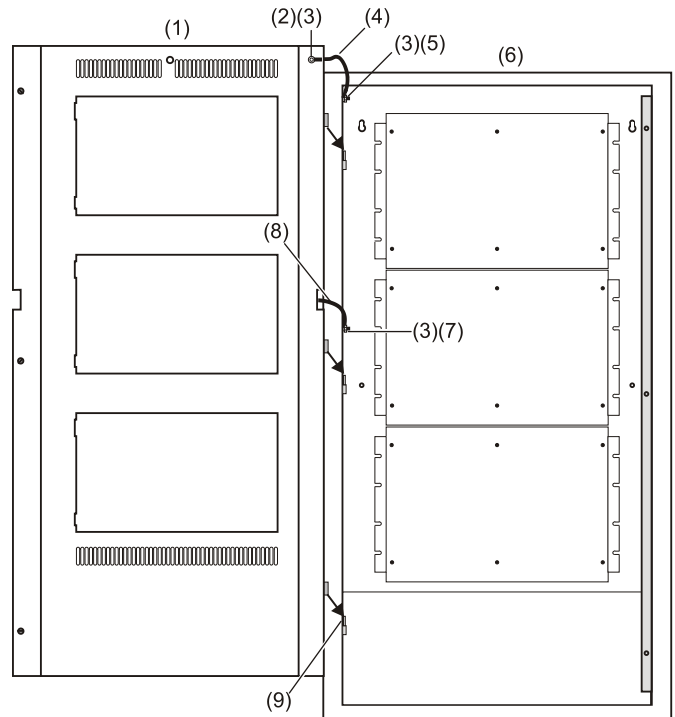
**To attach the ground straps to the backbox:**

1. Attach one end of ground strap (Figure 4, item 4) to the backbox ground strap stud (Figure 4, item 5).
2. Secure using the lock nut provided.
3. Attach one end of ground strap (Figure 4, item 8) to the backbox ground strap stud (Figure 4, item 7).
4. Secure using the lock nut provided.

**To mount the inner door:**

1. Set the inner door onto the inner door hinge pins (see Figure 4).
2. Attach the short ground strap (Figure 4, item 5) to the inner door ground strap stud. Secure using the hardware provided.

**Figure 4: Inner door mounting**

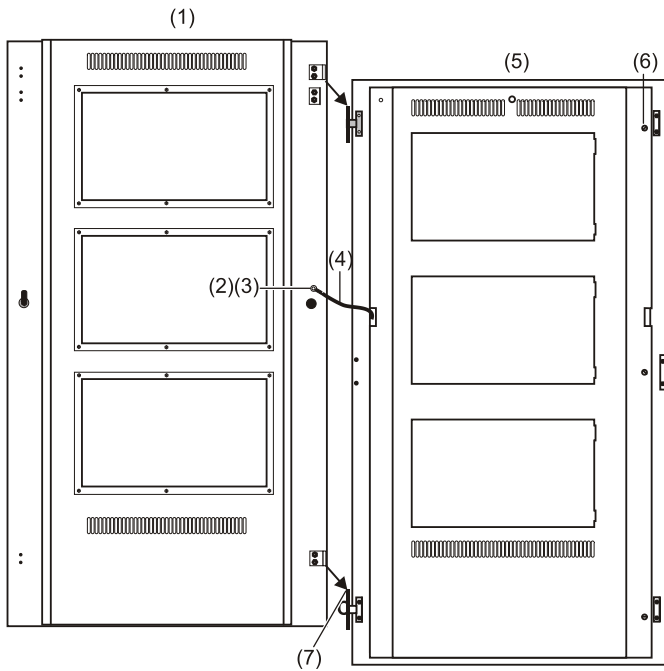


- |                                                |                                                                                                                          |
|------------------------------------------------|--------------------------------------------------------------------------------------------------------------------------|
| (1) Inner door                                 | (7) Backbox ground strap stud (outer door)                                                                               |
| (2) Inner door ground strap stud               | (8) Long ground strap P/N 260077-01: 3-CAB7D, 3-CAB14D (outer door) Short ground strap P/N 260077: 3-CAB21D (outer door) |
| (3) #8-32 K-nut (3X)                           | (9) Mount inner door on inner hinge pins                                                                                 |
| (4) Short ground strap P/N 260077 (inner door) |                                                                                                                          |
| (5) Backbox ground strap stud (inner door)     |                                                                                                                          |
| (6) Backbox                                    |                                                                                                                          |

**To mount the outer door:**

1. Set the outer door assembly onto the outer door hinge pins (see Figure 5).
2. Attach the hinge stop to the mounting studs below the top outer door hinge on the outer door. Secure using the hardware provided (see Figure 2).
3. Route the outer door ground strap between the left side of the inner door and the backbox, and then close the inner door and secure it using the captive screws shown in Figure 5
4. Attach the outer door ground strap to the ground stud on the outer door. Secure using the hardware provided (see Figure 5).

**Figure 5: Outer door mounting**



- (1) Outer door
- (2) Outer door ground strap stud
- (3) #8-32 K-nut
- (4) Long ground strap (outer door)
- (5) Backbox
- (6) Captive screw (3X)
- (7) Mount outer door on outer door hinge pins

### Specifications

---

Operating environment	
Temperature	32 to 120°F (0 to 49°C)
Relative humidity	0 to 93% noncondensing

---

### Contact information

For contact information, see [www.edwardsfiresafety.com](http://www.edwardsfiresafety.com).