



# 4ANN/B(-S), 6ANN/B(-S), and 10ANN/B(-S) Remote Annunciator Wall Boxes Installation Sheet

## Description

This document provides installation instructions for the wall boxes listed below.

Model number	Description
4ANN/B	4 wide wall box, semiflush mount
4ANN/B-S	4 wide wall box, surface mount
6ANN/B	6 wide wall box, semiflush mount
6ANN/B-S	6 wide wall box, surface mount
10ANN/B	10 wide wall box, semiflush mount
10ANN/B-S	10 wide wall box, surface mount

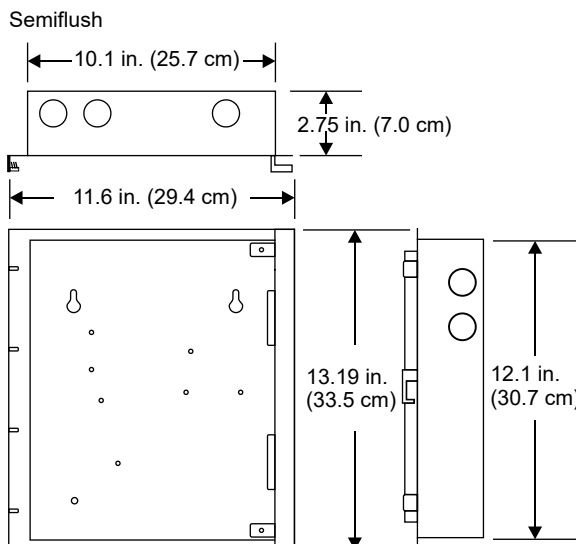
The 4ANN/B(-S), 6ANN/B(-S), and 10ANN/B(-S) wall boxes are constructed of 16 gauge steel with a textured, gray enamel finish. The wall boxes are used to house remote annunciator CPUs and optional modules that interface with other network components.

## Regulatory information

North American standards	UL 864, CAN/ULC-S527
Environmental class	UL: Indoor dry IEC: 3K5
EU compliance [1]	<b>CE</b>
EU certificates [1]	2831-CPR-F1080
UK compliance [1]	<b>UK CA</b> 0832
EN 54 [1]	EN 54-2:1997/A1:2006 EN 54-16:2008

[1] Does not include models 4ANN/B and 4ANN/B-S.

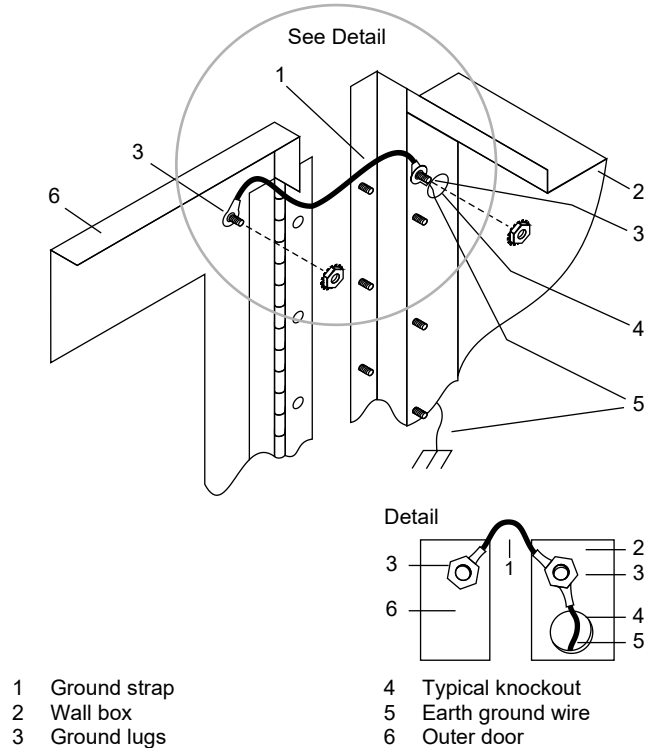
Figure 2: 4ANN/B(-S) wall box dimensions



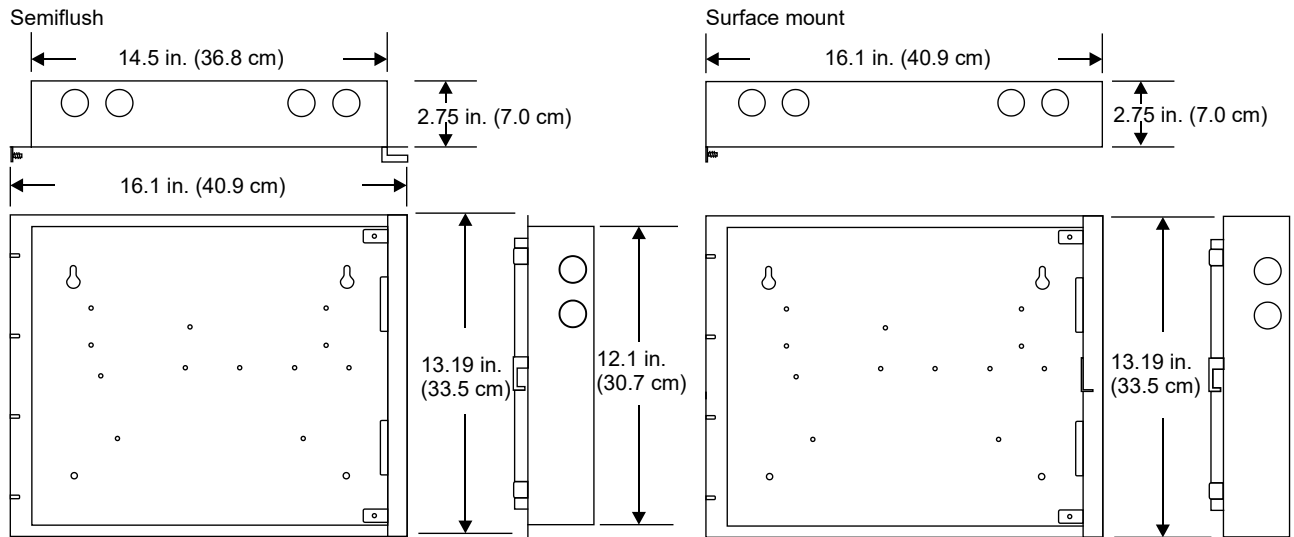
## Installation

1. Make sure the wall box is level and at the proper height and location before securing. Fasten the cabinet securely to wall studs or framing. Wall box dimensions and fixing points are shown in Figure 2 through Figure 4.
2. Pull all of the cables into the wall box and tag them for later identification. All conduit knockouts support 1/2 and 3/4 in. (1.27 and 1.9 cm) conduit. All wiring must be power-limited.
3. Connect the ground strap to the ground lugs on the door and the wall box as shown in Figure 1.

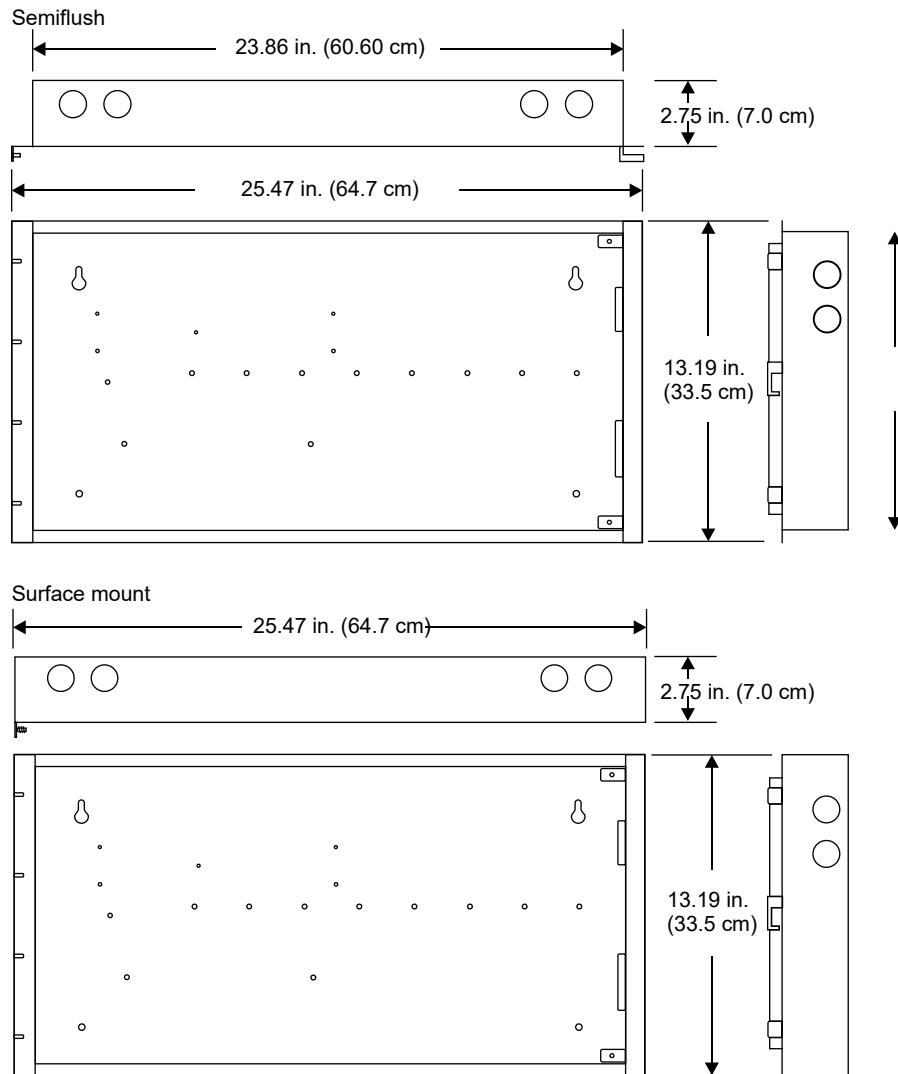
Figure 1: Connecting the ground strap



**Figure 3: 6ANN/B(-S) wall box dimensions**



**Figure 4: 10ANN/B(-S) wall box dimensions**



**Contact information**

For contact information, see [www.edwardsfiresafety.com](http://www.edwardsfiresafety.com).