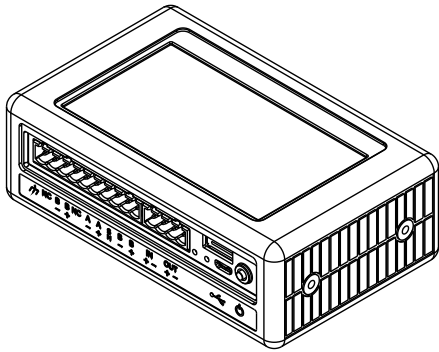


SIGA-HDT Signature Handheld Diagnostic Tool Installation Sheet



Description

The SIGA-HDT Signature Handheld Diagnostic Tool is a standalone battery operated diagnostic tool intended to help the user initialize and diagnose a Signaling Line Circuit (SLC). The SIGA-HDT ships with the following accessories:

- USB flash drive (Includes PC software and user guide P/N 3102424-EN)
- USB charging cable (USB 2.0 A-male to Micro-B cable)
- AC USB charging adapter
- 10-position terminal connector block
- 4-position terminal connector block
- SIGA-HDT Installation sheet (P/N 3102422-EN)
- Lithium-ion battery

Battery Charging and Installation

The SIGA-HDT is powered by a Lithium-ion battery. The USB cable is used to charge the SIGA-HDT. Connect the USB cable to the SIGA-HDT and the AC USB adapter or a USB port to charge the device.

To install and charge the battery

1. Remove the battery cover by removing the 2 battery cover screws. See Figure 1.
2. Insert the battery into the battery holder.
3. Connect the battery to the keyed wire connector.
4. Fasten the battery cover previously removed.
5. Connect the USB charging cable and charge the battery for a minimum of 2 hours.

Figure 1: SIGA-HDT Battery Cover

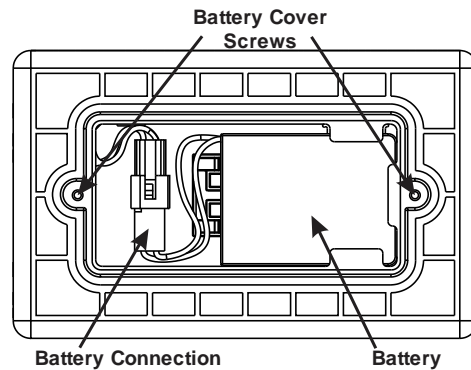
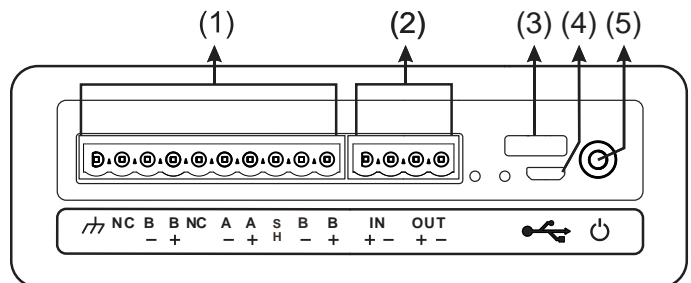


Figure 2: SIGA-HDT Terminal Connectors & Ports



- | | |
|--|-------------------------------|
| (1) 10-position terminal block | (3) USB Flash drive connector |
| (2) 4-position terminal block
(Not used at this time) | (4) Micro USB connector |
| | (5) Power Button |

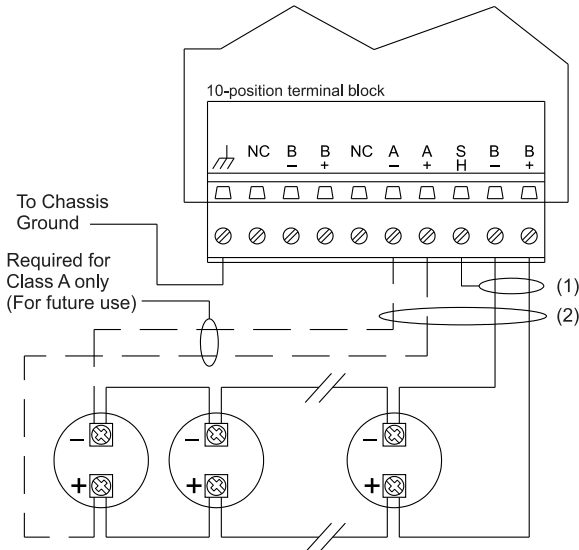
Wiring

To connect the SIGA-HDT to your SLC loop, use the 10-position terminal connector block. Wire the SLC positive to positions B+ and negative to position B- of the terminal block (see Figure 3).

Note:

Connect pin 10 of terminal block 1 to chassis ground to enable ground fault detection. (Refer to label on product for terminal numbers)

Figure 3: Wiring diagram



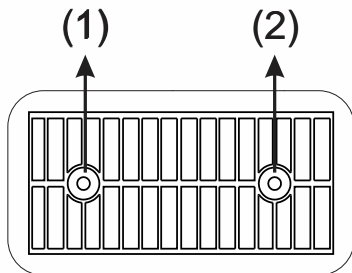
Notes

- (1) Shield, if used, must be continuous and free from earth ground.
- (2) Data circuits are Style 4 (Class B)

Note:

Refer to the SIGA-HDT User Guide (P/N 3102424-EN) for instructions on using the tool to initialize a loop, troubleshoot, and using the PC software. A copy of the guide can be found on the USB flash device or online at www.my-eddie.com.

Figure 4: SIGA-HDT Activities LED



- (1) Communication LED (Flashing green LED)
- (2) Charging LED (Solid red LED)

Maintenance

Please see www.my-eddie.com for any firmware updates.

Specifications

Voltage	5 VDC
Battery	
Type	3.6V, 2200mAh Lithium-Ion
Replace with	P/N HDT-BATT
Wire size	12 to 26 AWG (1.31 to 0.13 mm ²)
Dimensions (W x H x D)	5.25 x 3.25 x 1.75 in. (133.3 x 82.5 x 44.5 mm)
Operating environment	
Temperature	32 to 120°F (0 to 49°C)
Relative humidity	0 to 93% noncondensing

Regulatory information

FCC compliance This device complies with part 15 of the FCC Rules. Operation is subject to the following two conditions: (1) This device may not cause harmful interference, and (2) this device must accept any interference received, including interference that may cause undesired operation.

Environmental class IEC: 3K5 (Indoor use only)



Battery directive: This product contains a battery that cannot be disposed of as unsorted municipal waste. The battery is marked with this symbol, which may include lettering to indicate cadmium (Cd), lead (Pb), or mercury (Hg). For proper recycling, return the battery to your supplier or to a designated collection point. For more information see: www.recyclethis.info.

Contact information

For contact information, see www.edwardsfiresafety.com