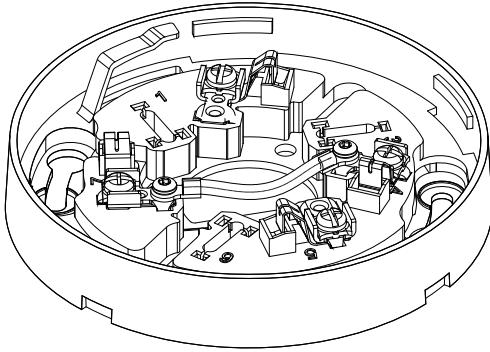


SIGA-SB Detector Base Installation Sheet



Description

The SIGA-SB is the standard base for Signature Series detectors. It connects the detector to the signaling line circuit (SLC), and provides wiring terminals for connection to a SIGA-LED.

Installation

Caution: Risk of equipment damage. To prevent damage to the base, do not overtighten the base mounting screws or wire terminal screws. Refer to "Specifications" for torque values.

Refer to Technical Bulletin P/N 270145-EN for location and spacing requirements.

To install the SIGA-SB:

1. Mount the SIGA-SB on a compatible electrical box using the screws provided with the electrical box.
2. Wire the base as shown in the "Wiring" section.
3. Write the address assigned to the detector on the label provided and apply the label to the inside rim of the base.
4. Use a SIGA-TS trim skirt to finish the installation as needed.

Wiring

Caution: Risk of system failure. Electrical supervision requires that the wire run be broken at each terminal. Do not loop the field wires around the terminals.

Notes

- Shielded wire is required only in environments with very high electrical noise.
- Shields, if used, must be continuous and insulated from ground.
- For Class B wiring, there is no shield connection to ground at the last device.

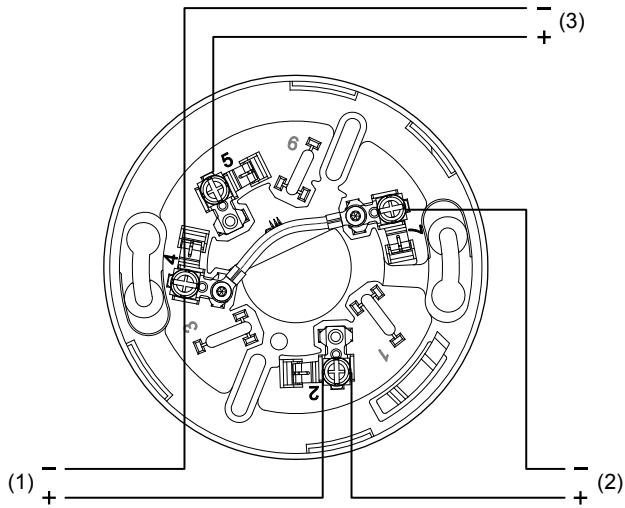
To wire the SIGA-SB:

1. Wire the detector base as shown in Figure 1.
Break the wire run at each terminal. Do not loop the signaling line circuit field wires around the terminals.
2. Insulate the shield with electrical tape.

SIGA-SB



Figure 1: Wiring the SIGA-SB



- (1) SLC IN from previous device.
- (2) SLC OUT to next device.
- (3) To SIGA-LED. Maximum resistance per wire is 10 Ω .

Table 1: Base terminals

Number	Description	Number	Description
1	Not used	4	Remote LED -
2	SLC IN/OUT +	5	Remote LED +
3	Not used	6	Not used
4	SLC IN -	7	SLC OUT -

Specifications

Wire size	12 to 18 AWG (1.0 to 4.0 mm ²) Sizes 16 and 18 AWG are preferred
Screw torque	
Base mounting	18 lbf-in (2.0 N·m) max.
Terminal	12 lbf-in (1.4 N·m) max.
Housing	High-impact engineering polymer, white
Compatible detectors	Signature Series detectors
Accessories	SIGA-TS Four-Inch Box Trim Skirt/Ring
Compatible electrical boxes	North American single-gang box Octagon box 3-1/2 in. (89 mm) by 1-1/2 in. (38 mm) deep Octagon box 4 in. (102 mm) by 1-1/2 in. (38 mm) deep European single-gang box 75 mm with 60.3 mm fixing centers BESA box with 60.3 mm fixing centers
Operating environment	
Temperature	32 to 120°F (0 to 49°C)
Relative humidity	0 to 93% noncondensing
Technical bulletin	P/N 270145-EN

Regulatory information

North American standards CAN/ULC-S529-09, UL 268, and UL 521

Contact information

For contact information, see www.edwardsfiresafety.com.