

Quick Start Guide
(A163821KC6_A)

Illustra Flex Gen 4 Dual Sensor Cameras
P/N's = IFS10-M10-OIA4, IFS10-M10-OTA4, and IFS16-M10-OIA4,

In the box

- 1 x Camera
- 1 x Mounting template sticker
- 1 x adaptor plate
- 1 x RJ45 Cable
- 1 x Plastic side cover
- 1 x Waterproof rubber (1 hole)
- 4 x TP4 32mm screws & 4 x Plastic screw anchors
- 1 x RJ45 Grommet insertion tool
- 1 x Torx 20 Security L-Key
- 1 x Desiccant bag
- 1 x 2-pin Terminal block
- 4 x Rubber cap for top cover screw holes

Installation tools

- 1 x Drill
- 1 x T20 Torx wrench
- 1 x Phillips screwdriver

Quick reference

- **Default IP:** 192.168.1.168 (DHCP enabled)
- **Default Username and Password:** admin
- **Power:** 24V AC, 50/60Hz, 1.75A or 48V DC, 0.53A



Attaching the camera to a surface

1. Place the template sticker onto the surface, and drill four 6mm holes and then insert the four screw anchors into the four 6mm holes.
2. Hold the adaptor plate up to the surface, align the four holes and insert the four TP4 screws into the four holes and then use the T20 Torx wrench to securely attach the adaptor plate to the surface.
3. Remove the four rubber plugs (4) (Figure 1) and use the T20 Torx wrench to unscrew the four captive screws (3) (Figure 1) and then remove the dome cover (2) (Figure 1) from the camera base (1) (Figure 1).

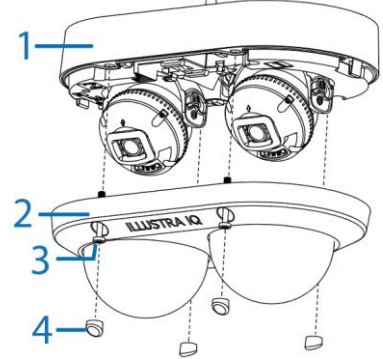


Figure 1

4. Hold the camera base up to the adaptor plate (1) (Figure 2) and insert the power cables through the rubber insert on the camera base and then into their respective ports on the camera base *if the cables are routed through the hole on the surface.*

OR

Route all cables through the cable side entry hole on the adaptor plate, then through the rubber insert on the camera base and insert them into their respective ports on the camera base.

Attaching the camera to a surface (continued)

7. Align the four captive screws on the dome cover with the four holes on the camera base and use the T20 Torx wrench to securely attach the dome cover to the camera base.
8. Insert the four rubber plugs onto the four captive screws on the dome cover.

Attaching the camera to a ceiling

In the box with the recessed mount

- 1 x Recessed mount bracket (P/N = IBCR-F-4DWT-A) / 1 x Trim Ring / 4 x M4 screws / 1 x Torx 20 Security L-Key / 1 x Mounting template sticker
1. Place the mounting template sticker onto the ceiling tile and cut out a 10.62 x 6.80-inch hole.
 2. Insert the adaptor plate (1) (Figure 4) (that comes with the camera) into the bracket (2) (Figure 4) and insert the four M4 screws into the four holes and use a screwdriver to securely attach the adaptor plate to the bracket.

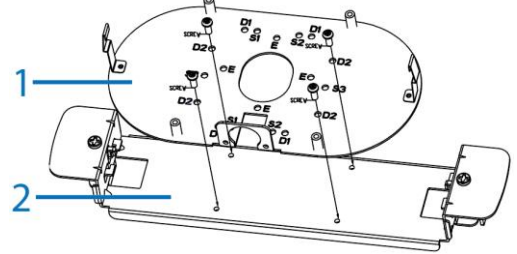


Figure 4

3. Pull all cables through the hole on the ceiling.
4. Insert the bracket through the hole on the ceiling tile and route the cables through the cable side entry hole on the adaptor plate, and then use a screwdriver (1) (Figure 5) to turn the two bracket screws (2) (Figure 5) clockwise until the two locking arms (3) (Figure 5) extend out fully and sits securely onto the ceiling tile (4) (Figure 5).

Table 1: Camera buttons and terminal block descriptions

Name	Description
	Reset to factory default but reserve IP address. (Hold for 5 seconds) Reset to default factory (Hold for 20 seconds)
	Reset: Press the button for approximately 1 second to reboot the camera.
	DI/DO (Digital Input/Output) ports are equipped for external devices, e.g., smoke detector, siren, microphone. <ol style="list-style-type: none"> 1. Alarm In: Via "GND" and "Alarm In" ports, connect to external device that can trigger alarm input signals. 2. GND 3. Alarm Out: Via "COM" and "Alarm Out" ports, connect to external device to be triggered through alarm output signals. 4. Alarm_COM 5. GND 6. Audio Out: Via "GND" and "Audio Out" ports, connect to device such as speaker to be triggered through alarm output signals. 7. GND 8. Audio In: Via "GND" and "Audio In" ports, connect to external device such as microphone that receives sound for camera.

Attaching the camera to a surface (continued)

5. Align the two clips (3) (Figure 2) with the two springs (2) (Figure 2) and then push the camera base up into the adaptor plate so that the two clips sit into the two springs and the camera base is securely attached to the adaptor plate.

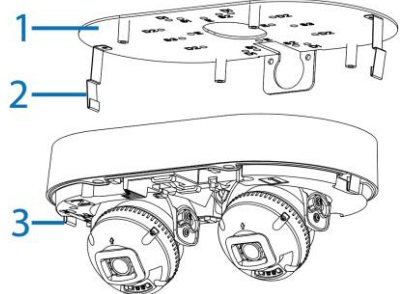


Figure 2

6. Hold the dome cover up to the camera base and insert the hole on the end of the safety wire onto the 'hook' (1) (Figure 3) on the camera base.

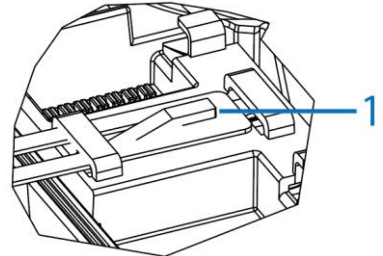


Figure 3

Attaching the camera to a ceiling (continued)

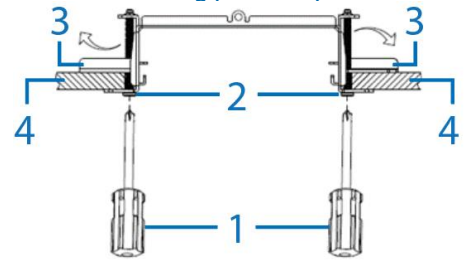


Figure 5

5. Remove the four rubber plugs (4) (Figure 1) and use the T20 Torx wrench to unscrew the four captive screws (3) (Figure 1) and then remove the dome cover (2) (Figure 1) from the camera base (1) (Figure 1).
6. Hold the camera base up to the adaptor plate and insert the power cables through the rubber insert on the camera base and then into their respective ports on the camera base.
7. Continue at steps 5 to 8 in the 'Attaching the camera to a surface' procedure.

Attaching the camera to a pendant cap

In the box with the pendant cap

- 1 x Pendant cap (P/N = IBPN-F-4DIS-A) / 1 x Adaptor ring / 1 x Torx 20 Security L-Key / 3 x 1/4-20UNC 12mm Security screw / 1 x Waterproof connector / 3 x Waterproof rubber
1. Securely attach the adaptor ring to one of the following applicable mounts: Wall Mount long (RHOLW), Wall Mount short (RHOSW), and over the roof mount (RHOTB) and then pull all cables through the adaptor ring.
 2. Insert the power cables through the adaptor ring.
 3. Insert the cables through waterproof connector (1) (Figure 6), through the hole onto top of the pendant cap (2) (Figure 6) and then attach the waterproof connector to the pendant cap.

Attaching the camera to a Pendant cap (continued)

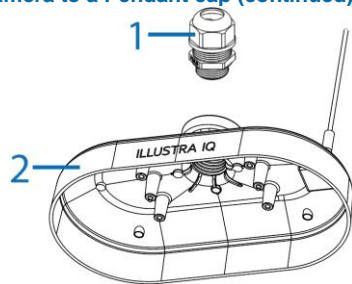


Figure 6

- Insert the waterproof connector and pendant cap onto the adaptor ring, insert the three screws into the three holes on the adaptor ring and then use a screwdriver to securely attach the pendant cap to the adaptor ring.
- Hold the adaptor plate (1) (Figure 7) up to the pendant cap, insert the cables through the hole on the adaptor plate, align the four holes on both, and then insert the four screws and use a screwdriver to attach the plate to the cap.

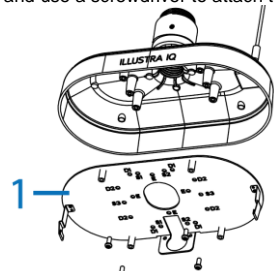


Figure 7

Attaching the camera to a Pendant cap (continued)

- Hold the camera base up to the adaptor plate and insert the power cables through the rubber insert on the camera base and then into their respective ports on the camera base.
- Continue at steps 5 to 8 in the 'Attaching the camera to a surface' procedure.

Attaching the sunshield cover to the camera

In the box with the pendant cap

1 x Sunshield (P/N = IA-CAP-WH-F4M) / 2 x Rubber inserts (for the screws)

- Hold the sunshield cover (1) (Figure 8) up to the dome cover (4) (Figure 8) and push the two clasps (2) (Figure 8) on the sunshield cover down onto the two captive screws (3) (Figure 8) on the dome cover.
- Insert the two screws into the two holes and securely attach the sunshield cover to the camera dome.

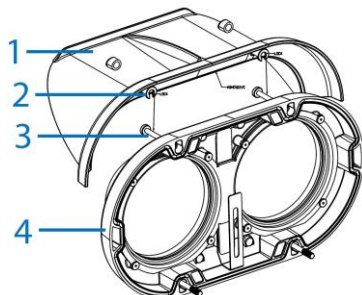


Figure 8

Inserting the desiccant bag to the camera dome cover

- Insert the desiccant bag (1) (Figure 9) into the slot on the camera dome top cover.

Inserting the desiccant bag to the camera dome cover (continued)

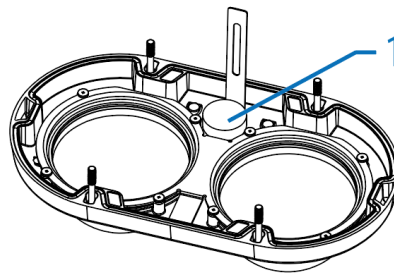


Figure 9

Attaching the cable side cover to the camera base

- Insert the side cover (1) (Figure 10) into the slot (2) (Figure 10) on the camera base.

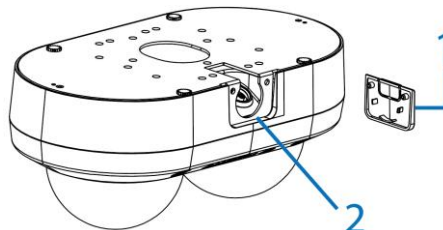


Figure 10

Adjusting the camera lens

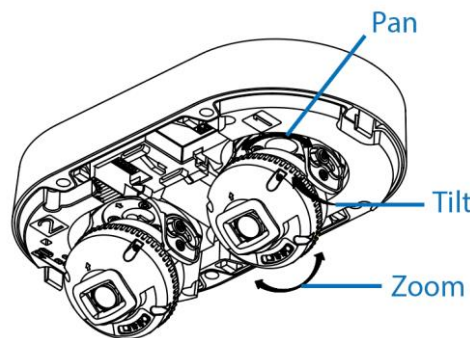


Figure 11

- Pan Adjustment:** Rotate the lens base until you are satisfied with the field of view.
- Tilt Adjustment:** Tilt the eye-ball assembly as needed.
- Rotate Adjustment:** Rotate the 3D assembly in the camera base.

Positioning the LEDs correctly with sunshield attached

Before you attach the sunshield cover, ensure that the LED's (2) (Figure 12) are in the opposite direction to the sunshield cover (1) (Figure 12).

Positioning the LEDs correctly with sunshield attached

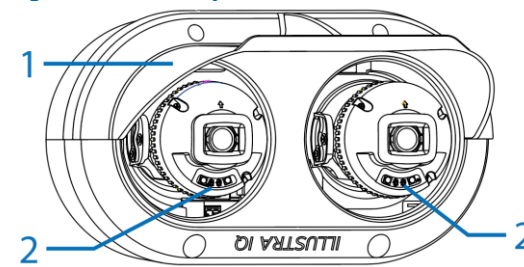


Figure 12

Note: If you do not ensure that the LED's are in the correct position then it will likely cause IR reflection.

Warnings

- Installation and servicing shall be performed by qualified service personal.
- The mains power adaptor equipment should be marked LPS (Limited Current Source) or PS2 and rated according to 60C, 24V AC, 1.75A min or PoE IEEE802.3at, Type 2, Class 4, 48V DC, 0.53A min.
- To meet security immunity requirements, use an uninterruptable PSU to supply power to the mains adaptor or PoE mid/end span.
- If a Class I PoE adaptor or switch is used to provide power, be sure that the power cord is firmly plugged into the socket and confirm the main earth connection.
- Interconnecting cables for PoE is intended to be supplied by a UL listed type CL3P, CL3R or CL3X, marked "SUNLIGHT RESISTANT", "SUN. RES." or "SR." and "water resistant" or "W"

Note: See [IA-KIT-WD-UJA | Illustra \(illustracameras.com\)](#) for more information on the USB cable mentioned in Table 1. **IA-KIT-WD-UJA** together with the **Illustra Tools** application lets users install, configure, and maintain cameras. Scan one of the QR codes below to access the application.



iOS



Android



Mounting, that includes climbing ladders, installing communications, power, etc. can be hazardous. Only skilled person(s) should install this device. This camera can be mounted at a distance greater than 2 meters (6.6 feet) from the floor, there is a risk of Injury if the camera falls, ensure the camera is securely mounted.