

In the box

- 1 x 8 pin terminal block
- 1 x 2 pin terminal block
- 3 x Plastic screw anchors
- 3 x Self-tapping screws TP4x30mm
- 2 x Desiccant bag
- 1 x Rubber with 3 holes
- 1 x Rubber with 1 hole
- 1 x RJ45 Cap
- 1 x RJ45 insert tool
- 3 x Top rubber cap
- 1 x Security Torx Wrench (T20)
- 1 x QSG
- 1 x Regulatory Document

Installation tools

- 1 x Drill
- 1 x T20 Torx wrench
- 1 x Phillips screwdriver
- 1 x Wire cutters



Quick reference

- **Default IP:** 192.168.1.168 (DHCP enabled)
- **Default Username and Password:** admin
- **Power:** 12Vdc, 1.4A min. or 24VAC, 50/60Hz, 1A min. or PoE 48Vdc, 0.34A min., Tma=60 degree C

Figure 1: Product overview (Units in mm)

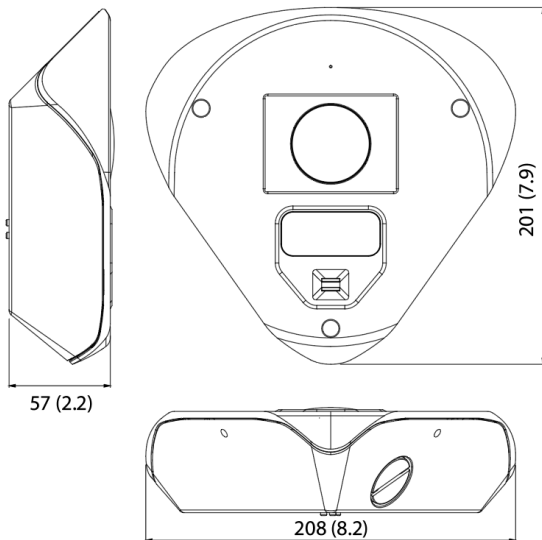


Figure 1

Figure 2: Camera parts

See Table 1 for a description of each part in Figure 2.

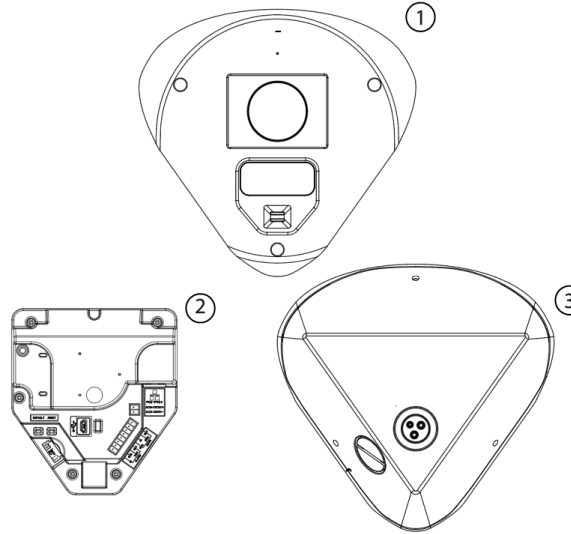


Figure 2

Note: The product is intended to be supplied by a UL Listed Power Unit marked "L.P.S." (or "Limited Power Source") and is rated output 12Vdc, 1.4A min. or 24VAC, 50/60Hz, 1A min. or PoE 48Vdc, 0.34A min., Tma=60-degree C. If need further assistance with purchasing the power source, please to Manufacturer for further information.

Table 1: Camera part descriptions

No	Description
1	Camera top cover
2	Camera module
3	Bottom case

Figure 3: Camera buttons, ports and SD card location

See Table 2 for a description of each part in Figure 3.

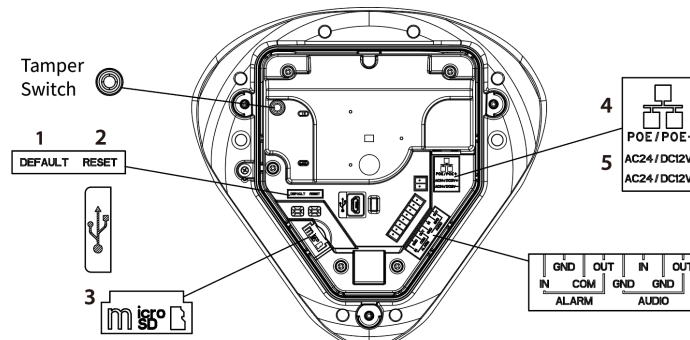


Figure 3

Note: The tamper switch detects if the camera top cover has been removed from the camera. It can be used to help raise an 'Event Action' through the web GUI.

Table 2: Camera buttons, ports and SD card location descriptions

No	Name	Description
1	Default	Reset to factory default but reserve IP address. (Hold for 5 seconds). Reset to default factory (Hold for 20 seconds).
2	Reset Button	Reset: Press the button for approximately 1 second to reboot the camera
3	USB cable port	Insert the Micro USB On-The-Go (OTG) Adapter Cable with USB Wireless Network Adapter. See note and QR codes on the next page for information.
4	Micro SD	Micro SD Port
5	RJ-45 Network Port	Connect the RJ-45 connector to this port with a PoE (IEEE 802.3af Class3) / PoE+(IEEE 802.3at Class4) compatible network device that supplies power through the Ethernet cable.
6	Power terminal	The port is used to connect with external 24VAC/12 VDC power supply.
7	DI/DO Port	DI/DO (Digital Input/Output) ports are equipped for external devices, e.g., smoke detector, siren, microphone. <ul style="list-style-type: none"> • Alarm In: Via "GND" and "Alarm In" ports, connect to external device that can trigger alarm input signals. • Alarm Out: Via "COM" and "Alarm Out" ports, connect to external device to be triggered through alarm output signals. • Audio In: Via "GND" and "Audio In" ports, connect to external device such as microphone that receives sound for the camera. • Audio Out: Via "GND" and "Audio Out" ports, connect to device such as speaker to be triggered through alarm output signals.

Figure 4: LED indicator locations

See Table 3 for a description of each LED status.

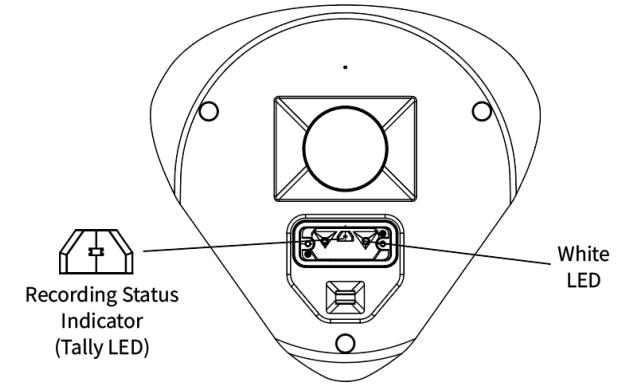


Figure 4

Table 3a: Recording status indicator LED descriptions

Status	Description
Always On (Default)	The tally LED is always on (flashing), even if no video or audio stream is being pull from the device or recorded to the edge storage (SD card)
Always Off	The tally LED is always off, even if a video or audio stream is being pull from the device or recorded to the edge storage (SD card)
Auto	The tally LED is automatic on (flashing) when a video or audio stream is being pull from the device or recorded to the edge storage (SD card)

Table 3b: White LED status indicator descriptions

Status	Description
On	Permanently on
Auto	Automatically enables when linked to an event action
Off	Set Illuminator LED to never illuminate

Installing the camera

1. Use the T20 Torx wrench (1) (Figure 5) and loosen the three T20 screws located on the camera top cover (2) (Figure 5), and then remove the camera cover from the camera base (3) (Figure 5).

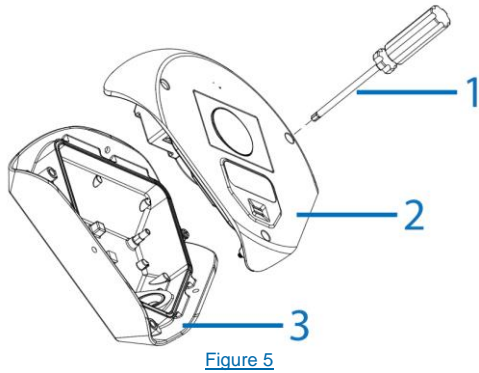


Figure 5

Note: You can route the power cables through the **ceiling** or **wall**.

Installing the camera (continued)

2. Cut out a 25mm cable hole on the ceiling, close to the corner and pull all power cables through the ceiling hole, and then remove the power cable rubber insert (2) (Figure 6) on the camera base.
- OR**
- Remove the cable side entry insert (3) (Figure 6) on the camera base if you are routing the cables through the wall.
3. Place the camera base (1) (Figure 6) fully into the wall / ceiling corner and using a pen / pencil, add two markings on the walls and one on the ceiling as per the three holes on the camera base.
- Note:** If you are routing the cables through the cable side entry hole on the camera base then also mark this out on the wall.

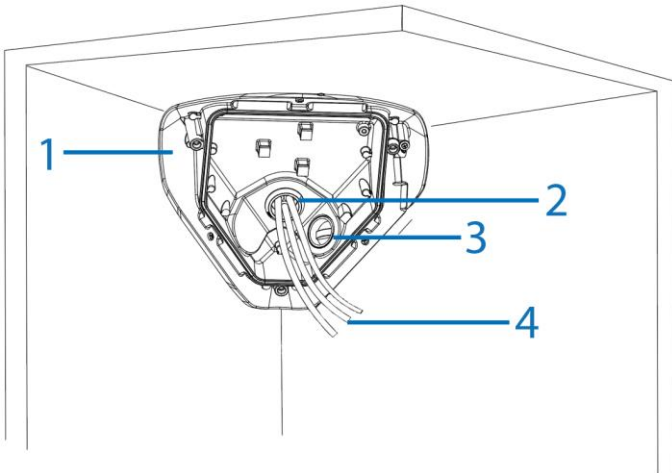


Figure 6

Installing the camera (continued)

4. Remove the camera base and drill three 7mm holes, and if you are routing the cables through the wall, then cut out a 25mm cable hole and pull the power cables through the hole on the wall.
5. Insert the three plastic screw anchors into the three holes.
6. Insert the camera base (1) (Figure 6) up to the corner:
 - a. if the power cables are routed through the ceiling, then insert the cables (4) (Figure 6) through the rubber insert cable hole (2) (Figure 6).

OR

 - a. If the cables are routed through the wall, then insert the cables through the cable side entry hole (3) (Figure 6) on the camera base.
7. Align the three holes on the camera bottom base with the three holes on the wall / ceiling.
8. Insert the three TP4x30mm screws into the three holes and use a screwdriver to securely attach the camera base to the wall.
9. Insert the two desiccant bags (Figure 7) into the two slots on the camera top cover.

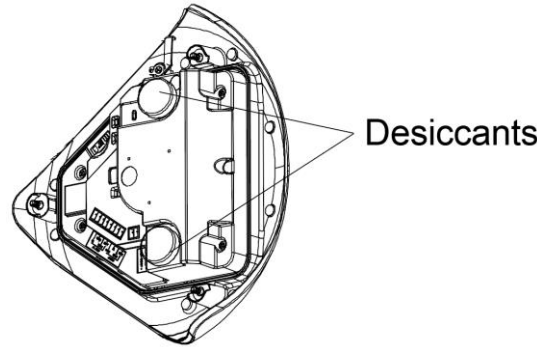


Figure 7

Installing the camera (continued)

10. Hold the camera top cover (2) (Figure 8) up to the camera base and insert the power cables (1) (Figure 8) to their respective ports on the camera top cover.

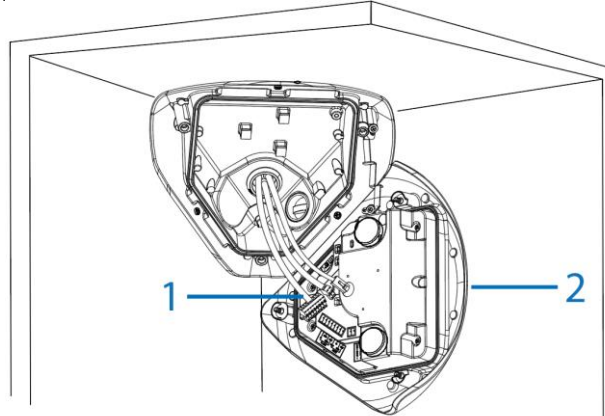


Figure 8

11. Place the camera top cover onto the camera base and align the three captive screws on the camera top cover with the three holes on the camera base.
12. Use the Torx wrench to securely attach the three camera top cover screws into the camera base.
13. Insert the three rubber inserts (1) (Figure 9) into the three screw holes on the camera top cover to complete the installation.

Installing the camera (continued)

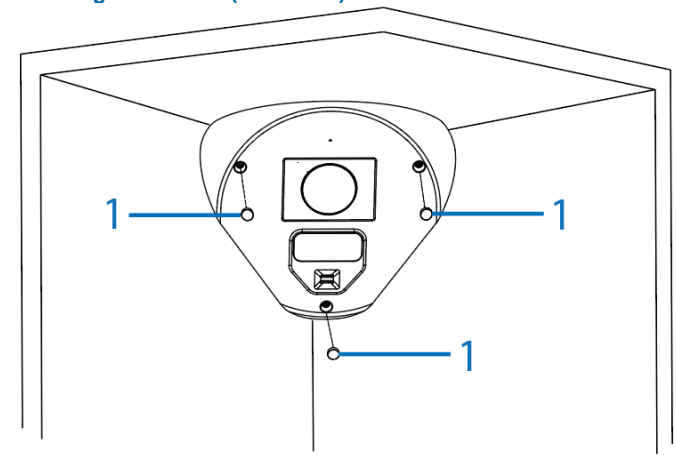


Figure 9

Removing the SD card

1. Use the T20 Torx wrench (1) (Figure 5) and loosen the three T20 screws located on the camera top cover (2) (Figure 5), and then remove the camera top cover from the camera base (3) (Figure 5).
 2. Carefully pull open the micro-SD card cover (4) (Figure 3), and then insert or remove the micro-SD card into or from the camera.
- Note:** It is advised that you reboot the camera after inserting the micro SD card.

Note: See [IA-KIT-WD-UUA | Illustra \(illustracameras.com\)](#) for more information on the USB cable mentioned in Table 1. **IA-KIT-WD-UUA** together with the **Illustra Tools** application lets users install, configure, and maintain cameras. Scan one of the QR codes below to access the application.



iOS



Android

Note: The recording status indicator is set to 'Always On' regardless of any recording or streaming activity in place or not. This can be changed to 'Auto' to reflect actual recording or streaming activity in place or set to 'Always Off' to not show recording status.



Mounting, that includes climbing ladders, installing communications, power, etc. can be hazardous. Only skilled person(s) should install this device. This camera can be mounted at a distance greater than 2 meters (6.6 feet) from the floor, there is a risk of Injury if the camera falls, ensure the camera is securely mounted.

Note: Choice of power determines the cameras **Operating Temperature**

- -20°C ~ 60°C = PoE & DC12V
- -40°C ~ 60°C = PoE+ & AC24V