



Coin Acceptor

UCA
Series

Installation Guide



Use of Materials Limitations

International Currency Technologies Corporation (ICT) all rights reserved.

All materials contained are the copyrighted property of ICT.

All trademarks, service marks, and trade names are proprietary to ICT.

ICT reserves the right at all times to disclose or to modify any information as ICT deems necessary to satisfy any applicable law, regulation, legal process or governmental request, or to edit, refuse to post or to remove any information or materials, in whole or in part, in ICT's sole discretion.

Contents

1. Introduction.....	2
1-1. Overview.....	2
1-2. Features.....	2
2. Specifications.....	2
General.....	2
Electrical.....	3
Mechanical.....	3
3. Packing List.....	3
4. Dimension.....	4
5. Installation.....	5
5-1. How to Install?.....	5
5-2. Harness Application.....	7
5-2-1. Connector.....	7
5-3. I/O Circuits.....	13
5-4. DIP Switch Setting.....	15
5-5. Software Download and Upgrade.....	15
6. Maintenance.....	16
7. Troubleshooting.....	18

1. Introduction

1-1. Overview

UCA series is designed as reliable coin acceptors which are able to work steadily in high temperature for high-security with acceptance rate up to 96% or greater.

Moreover, UCA Series includes UCA1, UCA2, UCA3, UCAE and UCAES for different accepted coins and applications to fulfill your needs.

1-2. Features

- High working temperature for coin acceptance.
- Coin sorter option available for UCA1 and UCA2.
- Eight coin channels available at once.
- Mechanical and electrical anti-string functions.
- Accepting speed up to 3 coins per second.

2. Specifications

General

Acceptance Rate:	96 % or greater
Accepting Speed:	Approx. 3 coin/sec
Interface:	Pulse, RS232 (TTL level)
Coin Parameters:	Diameter : 20mm~32mm Thickness: 1.2mm~3.2mm



Installation: Indoor use only!!

Electrical

Power Source: 12V DC (10V~16V DC)

Power Consumption: Standby : 0.05A, 0.6W
Operation: 0.2 A, 2.4W
Maximum: 0.5 A, 6 W

Operation Environment: Operation Temperature: -5°C~60°C
Storage Temperature : -20°C~75°C
Humidity: 30%~85% RH
(no condensation)

Mechanical

Outline Dimension: Refer to page. 4

Net Weight: Approx. 0.35 kg

3. Packing List

Main: UCA Series Coin Acceptor

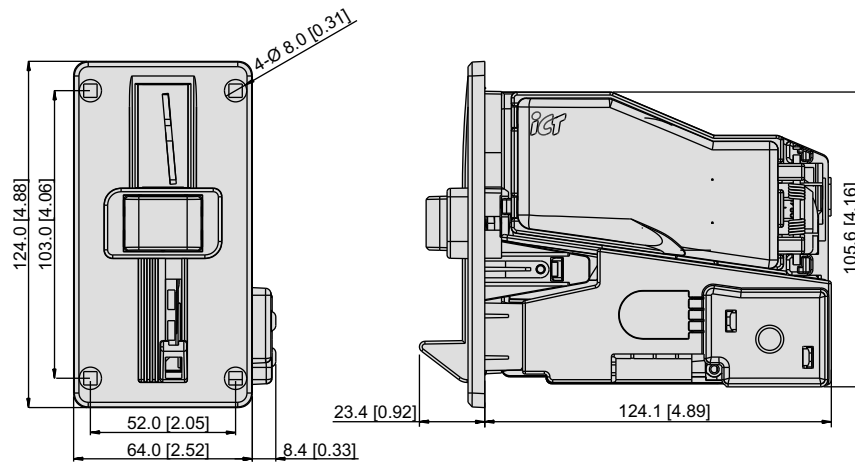
Accessory: Harnesses: Refer to 5-2
UCA Series Installation Guide
UCA Series Switches Setting Guide

Table 1

Mode Type	Harness	Others
Pulse	Refer to 5-2	Screw pack
RS232	Refer to 5-2	Screw pack

4. Dimension

Figure 1



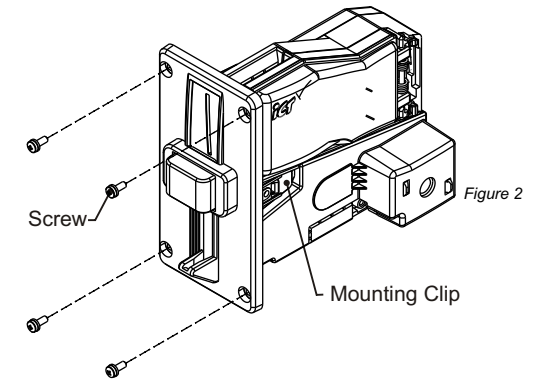
Unit : mm [inch]

5. Installation

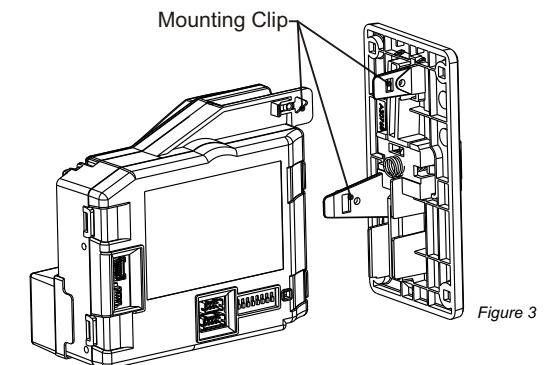
5-1. How to Install?

To install UCA Series coin acceptor on your machine, please follow the steps as below:

1. Use four screws to fix bezel on the machine.



2. Fix main base on bezel by mounting clips.



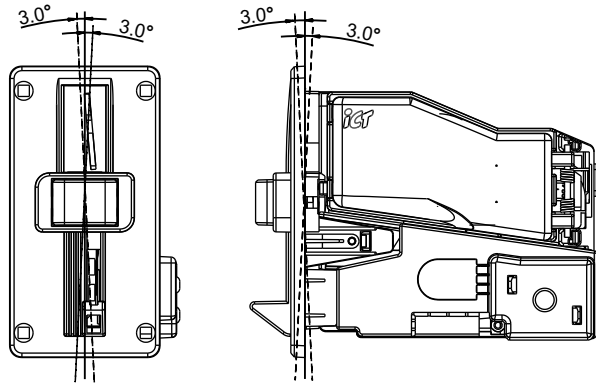


Figure 4

! UCA Series is not supposed to be aslope over 3°.

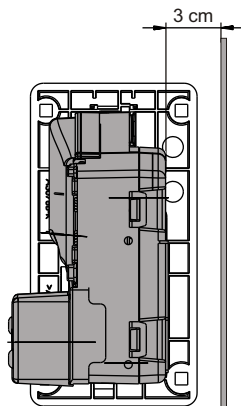


Figure 5

! To make sure UCA Series work smoothly, install machine farther than 3 cm from metal items is recommended.

5-2. Harness Application

5-2-1. Connector

▪ UCA1/UCA2/UCAES

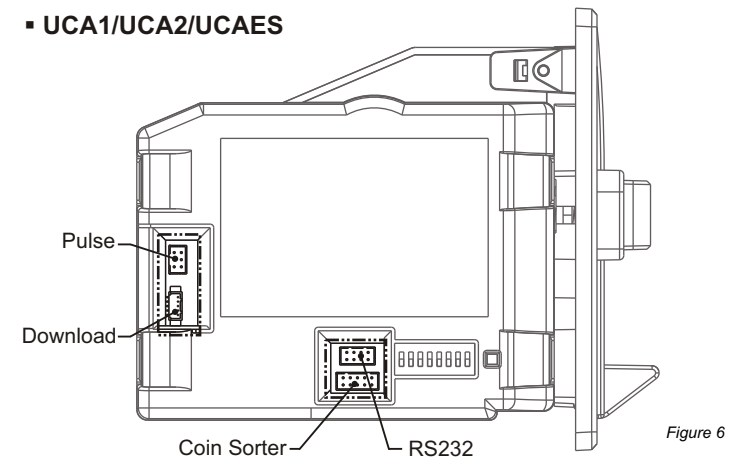


Figure 6

▪ UCA3/ UCAE

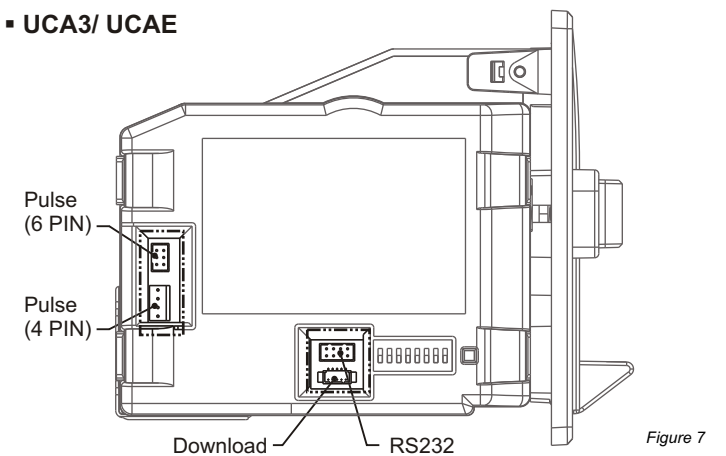


Figure 7

Table 2

Interface	Used Voltage	Usage	Harness	Page
Pulse	10V~16V DC	Power & *Data Comm.	WEL-RMS03	9
		Power & *Data Comm.	WEL-RMS02(Optional)	10
		Extension Wire	CU-R961-1(Optional)	11
RS232	10V~16V DC	Power	WEL-RMS03	9
	+5V TTL	*Data Comm.	WEL-R7U06	12

*Data Comm.: Data Communication.

Figure 8

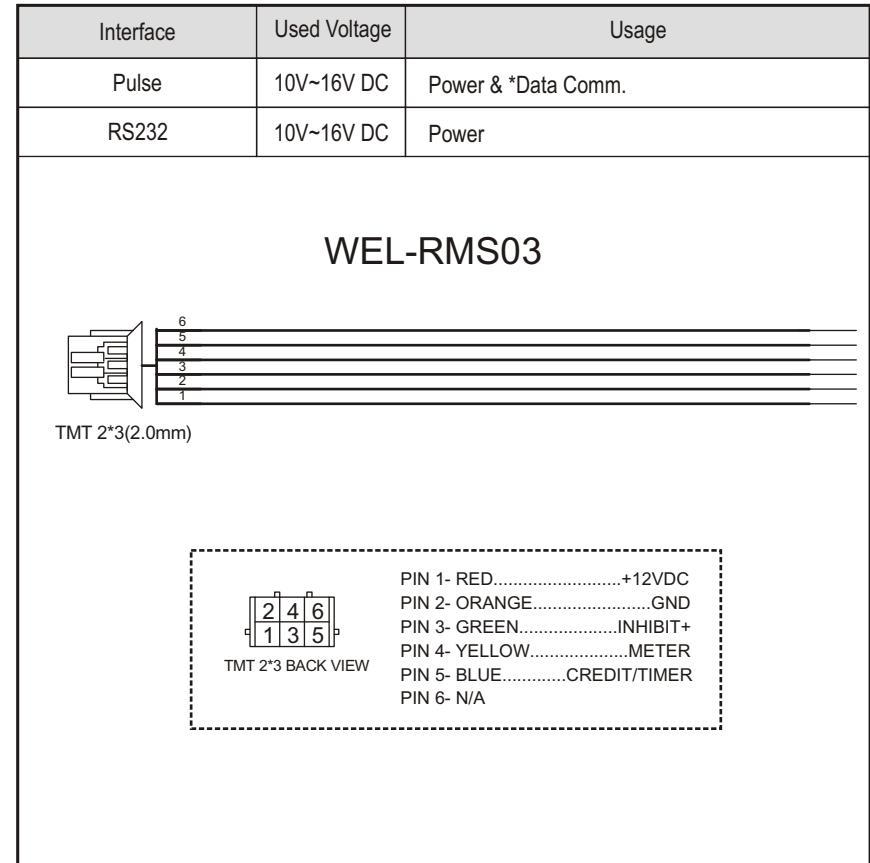


Figure 9

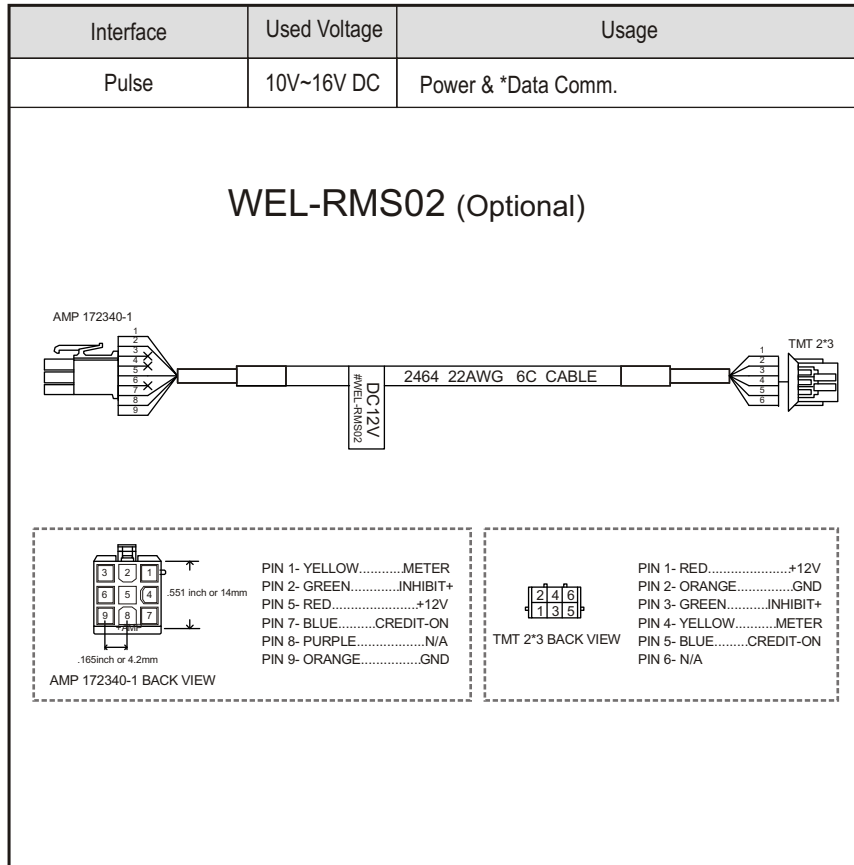


Figure 10

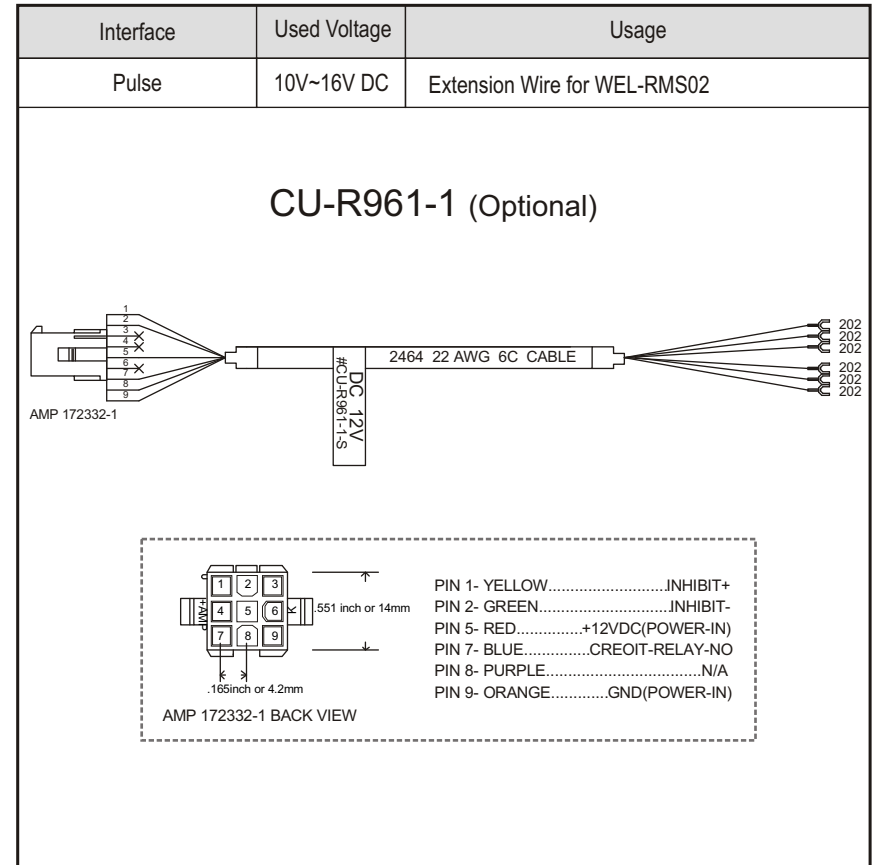
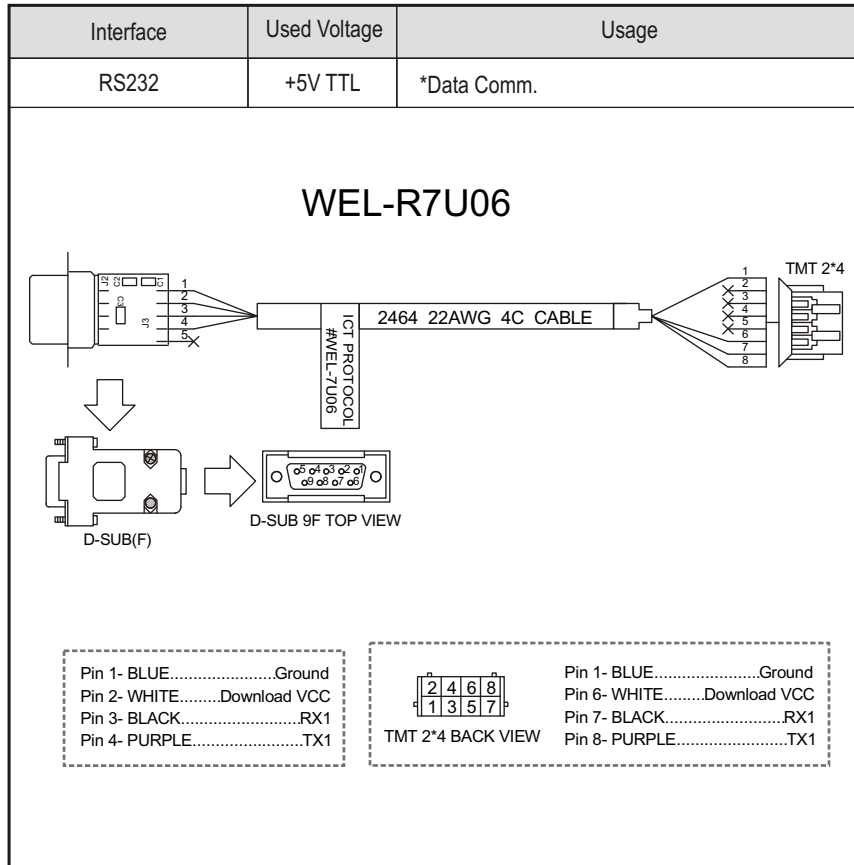


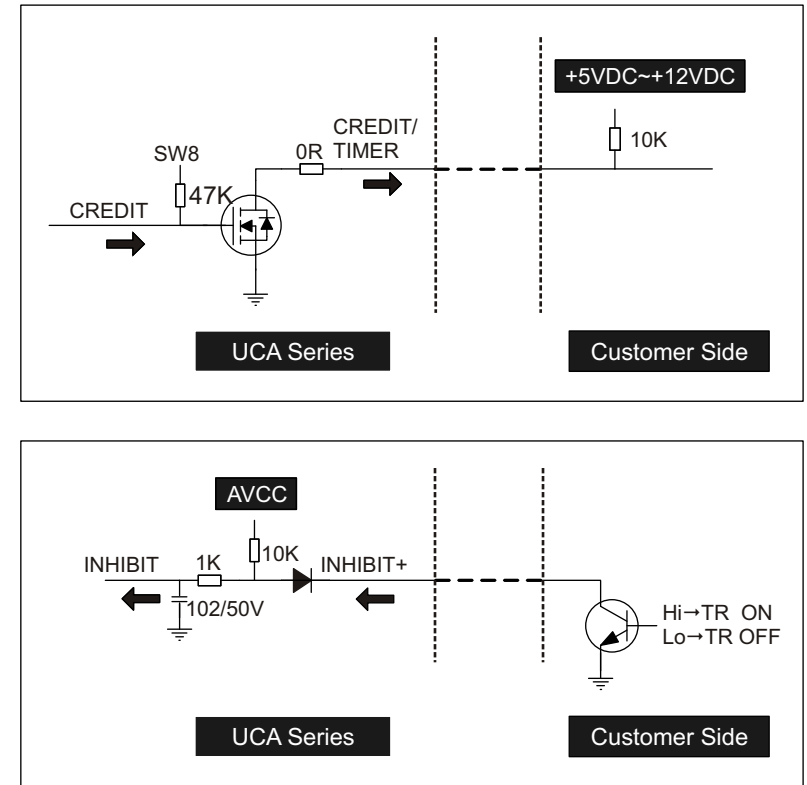
Figure 11



5-3. I/O Circuits

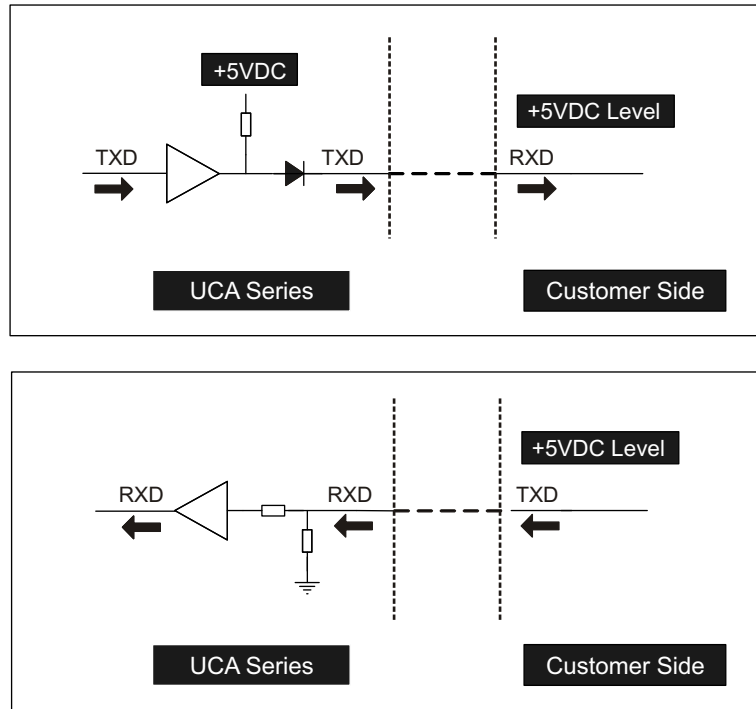
Pulse Interface.

Figure 12



RS232 Interface.

Figure 13



5-4. DIP Switch Setting

The DIP switches are located on side of UCA Series. DIP switch setting varies according to different functions which are used by users.

For DIP switch setting which fits your needs, please refer to “UCA Series Switch Setting” guide in the package.

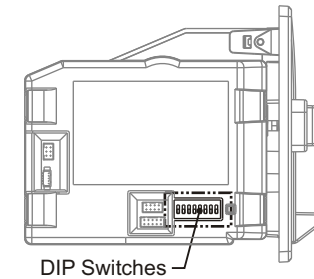
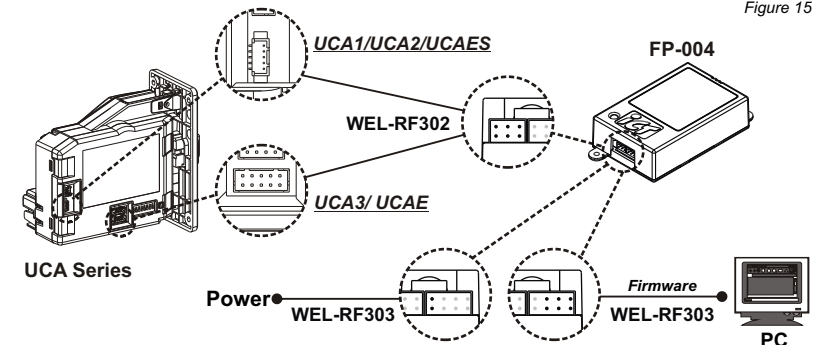


Figure 14

5-5. Software Download and Upgrade

To download and upgrade the software to UCA Series, the programmer (FP-004) is needed. Please contact ICT to purchase FP-004 and refer to FP-004 user guide for software download and upgrade information.

Figure 15



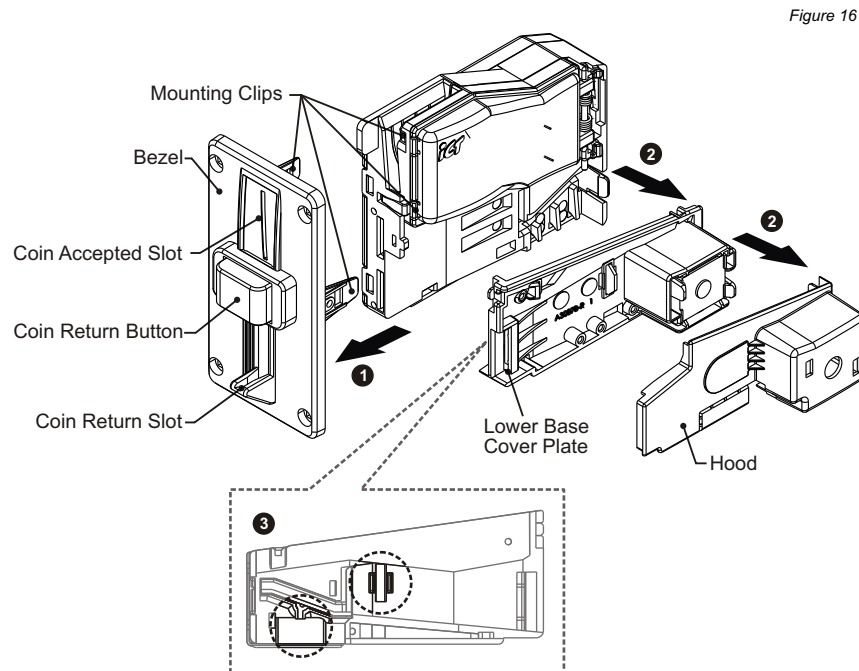
Power must be applied to UCA Series after connecting.

6. Maintenance

To make sure UCA Series coin acceptor always works smoothly, please clean the internal sensors regularly.

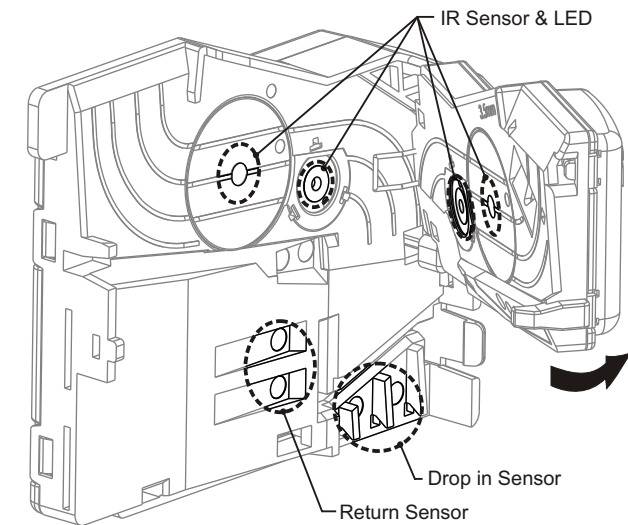
To clean the internal sensors:


1. Remove bezel by releasing mounting clips and pulling it out.
2. Release the clip and remove lower base cover plate and hood.
3. Use a soft, dry cloth, or towel to clean lens.



4. Open upper base cover plate and then use a soft, dry cloth, or towel to clean sensors.

Figure 17



	Maintenance Notice	
	<i>(Any improper maintenance will result in invalid warranty.)</i>	
	Recommended	Mild, non-abrasive, soap water.
DO NOT USE		Organic solvent, Alcohol, Volatility liquid.

7. Troubleshooting

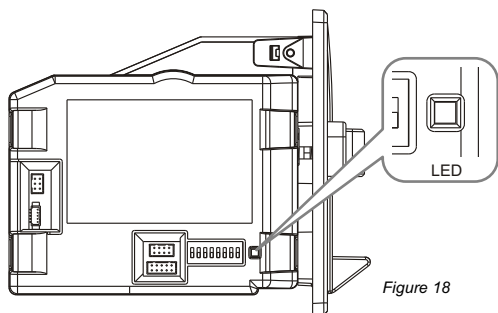


Figure 18

Table 3

LED Flashes			Status	Corrective Actions
Green	Orange	Red		
N/A	N/A	1	First coil set error	Call ICT or agents for technical support.
N/A	N/A	2	Second coil set error	
N/A	N/A	3	Fish sensor error	Inspect for foreign objects in coin path and clean.
N/A	N/A	4	Drop sensor error	
N/A	N/A	5	Return sensor error	
N/A	N/A	6	IR sensor error	
N/A	N/A	7	Program error	Call ICT or agents for technical support.
N/A	N/A	Fast 2	A Stringing attempt has been detected.	Inspect for foreign objects in coin path and clean.

Table 4

LED Flashes			Status
Green	Orange	Red	
ON	N/A	N/A	Power ON
N/A	ON	N/A	INHIBIT
N/A	Flashes	N/A	I/O Test Mode

ict Taiwan

International Currency Technologies Corporation

Ji-Hong Building, No 24, Alley 38, Lane 91, Nei-hu Rd., Sec. 1, Taipei, Taiwan, R.O.C.

Tel: 886-2-2797-1238 · Fax: 886-2-2797-1634

sales@ictgroup.com.tw (For Sales)

rma@ictgroup.com.tw (For Customer Service)

Website: www.ictgroup.com.tw



If the error can not be solved after corrective actions or happen again, please contact ICT or agents for technical support.