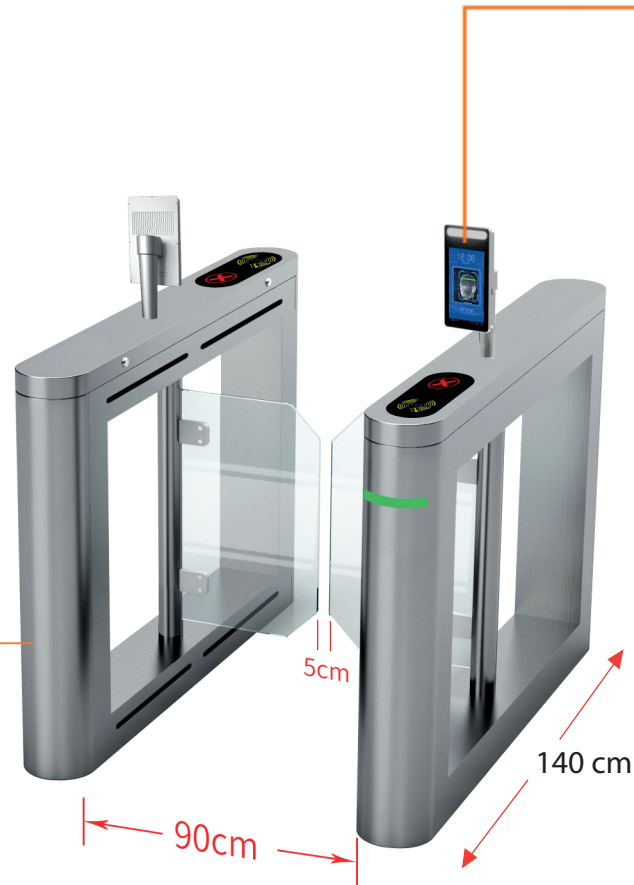


SKU:
OT-TORABA1P

type	circular arc
body material	304 stainless steel(mirror effect optional)
swing arm material	acrylic
anti-collision	support
passage width	60cm(wider need customization)
support input way	cards,tickets,fingerprint,face recognition.
passage direction	double
working temperature	-40°C to +60°C
working humidity	0-95%
application scenarios	office,residence,school,government, stadium,supermarket,and so on.



**Very good effect even under strong sunshine
Face capacity:20000/50000**

software	computer LAN software(cloud optional)
Real person detection	support,paper or cellphone photo are not available
Recognition accuracy	99.7%
Algorithm	own algorithm,not open algorithm
Controller	own R&D,not pen solution
Operation system	Android
Screen	7 inch
Camera	200W two cameras wide dynamic
Wireless communication	2.4G wifi,Bluetooth:4.0
Network	1 RJ45,10M/100M Adaptive Ethernet port
Relay interface	support
Wiegand interface	support

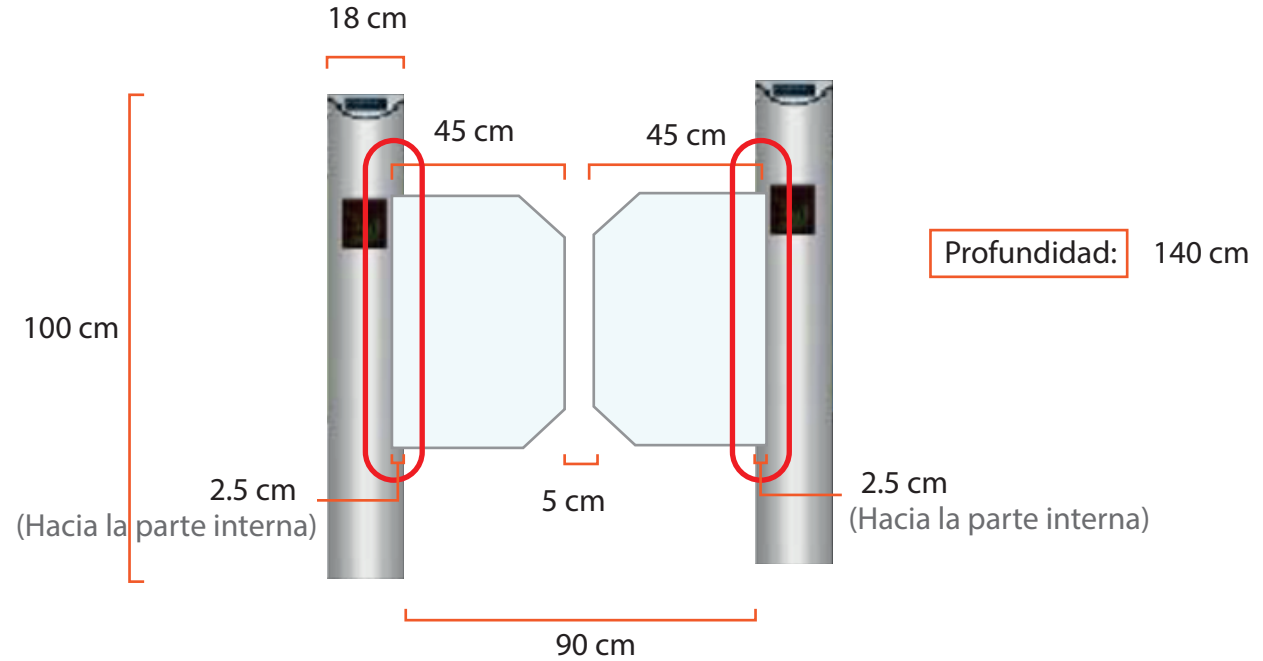
Please note:above specification maybe not the latest,please confirm with your sales manager when inquiring.

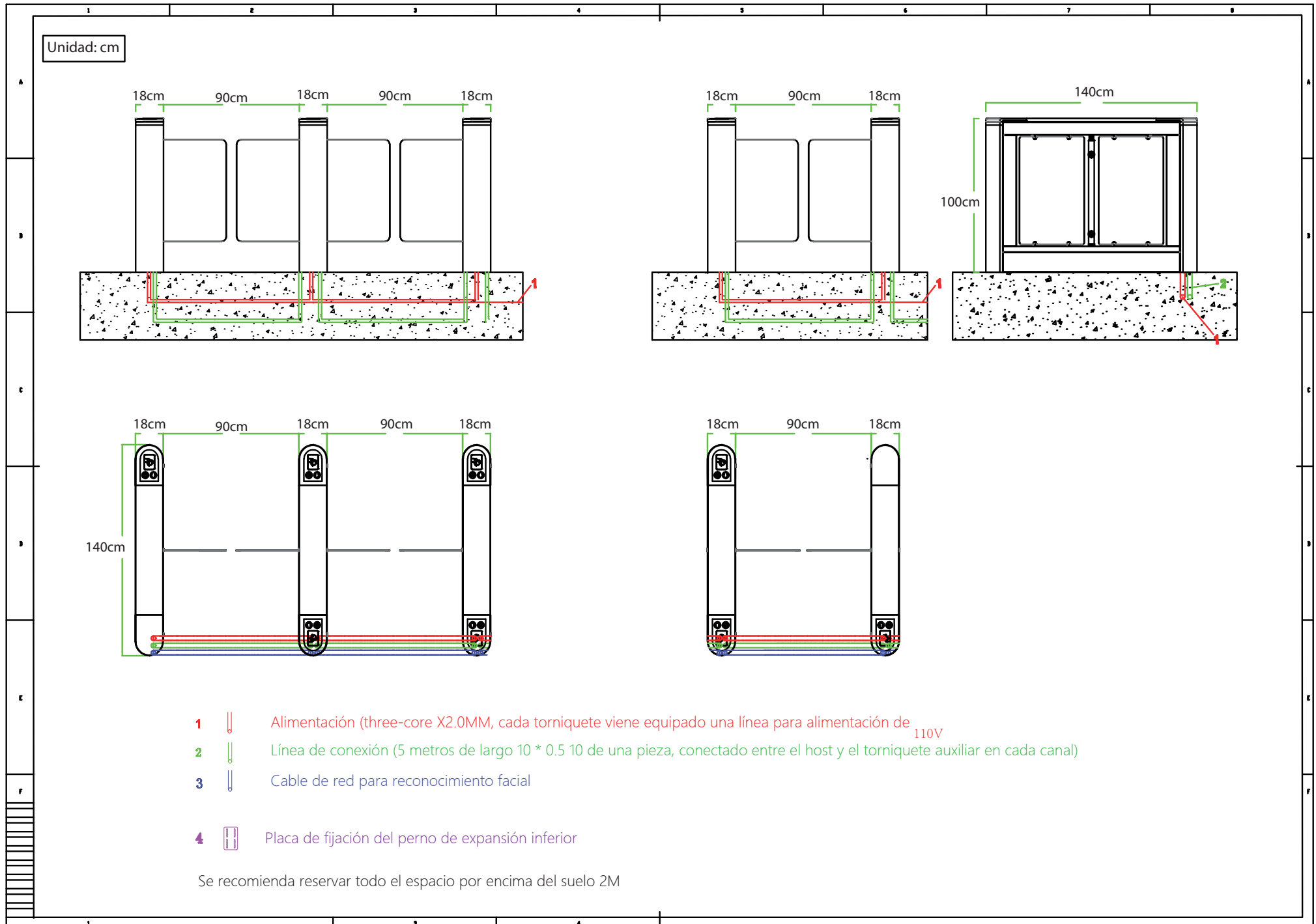
OT-TORABA1P

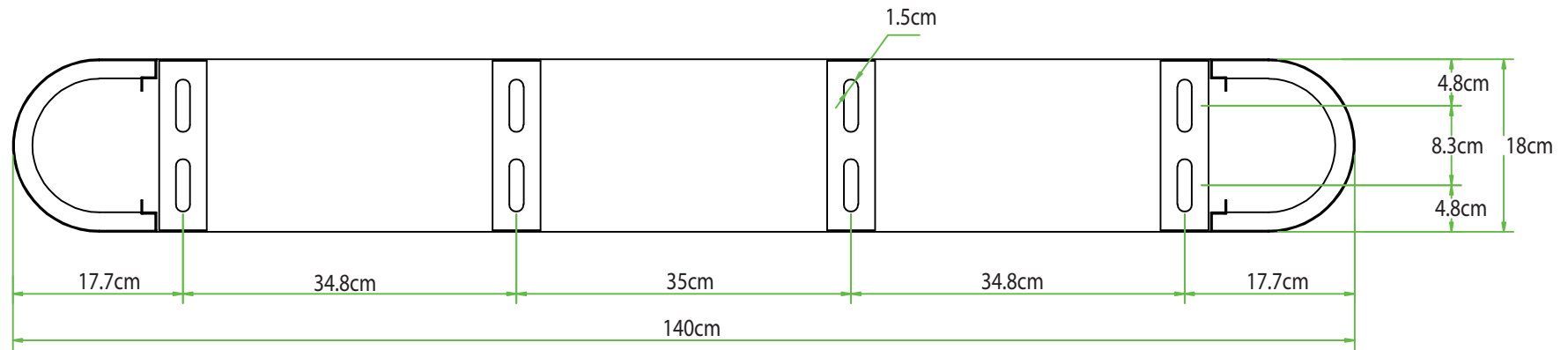


Apertura 1s y cierre 1s (1 ciclo)

30 ciclos por minuto







Parte inferior del torniquete