



## Product introduction

P3 passenger counter is a professional vehicle-mounted passenger counter with AI algorithm. It is able to accurately judge the moving direction of passengers and obtain the precise statistics of passengers boarding and alighting buses. At the same time, the passenger counter can synchronize the number of passengers to the host via the network interface and upload the passenger number to the platform through the host to enable analysis & statistics of passenger flow data.

## Product features

- Support 1920\*1080 @ 30fps resolution
- Support WDR to meet demands of various vehicle running environments on image effect
- Support to work 24/7
- Support auto exposure response algorithm, auto white balance algorithm and auto noise reduction
- Support the passenger counting function based on deep learning
- Several mounting brackets are available for different vehicle models
- In accordance with the vehicle anti-vibration design

## Product parameters

### Product model

P3 (V1.0)

### Function overview

Passenger counting

### Basic parameters

Image sensor	1/2.8 " 2M pixel CMOS
S/N	≥50db
Minimum illumination	Color: 0.05Lux/F1.2; white/black: 0Lux (IR LED on)
Focal length	M12 2.7mm lens
Viewing angle	FOV: 120° VFOV: 62.5°
Electronic shutter	1/60s-1/5000s
WDR	2F DWR dynamic range≥80db
IR	3m

### Audio & video encoding

Video compression standard	H.264 (the default) & H.265
Compression output bitrate	512Kbps-10Mbps
Image resolution	Main stream: 1080p @ 30fps Sub-stream 1: VGA/QVGA/CIF @ 15FPS or D1@15FPS Sub-stream 2: CIF @ 10FPS/self-adaptive
CBR/VBR	Supported (the default is VBR)
Audio input	Not supported

### Image

Maximum image size	1920x1080
--------------------	-----------

### Network

Network interface	10M/100M self-adaptive Ethernet interface (6PIN aviation connector female)
Client preview	Internal WEB server. Support IE browser access

### Installation

Installation method	Support embedded-mounted, top-mounted and side-mounted
Dimensions (brackets included)	Embedded-mounted bracket: 188.05mm*67.04mm*33mm Top-mounted bracket: 179.17mm*55.88mm*42.5mm Side-mounted bracket: 178.96mm*54.95mm*45.35mm

### Power

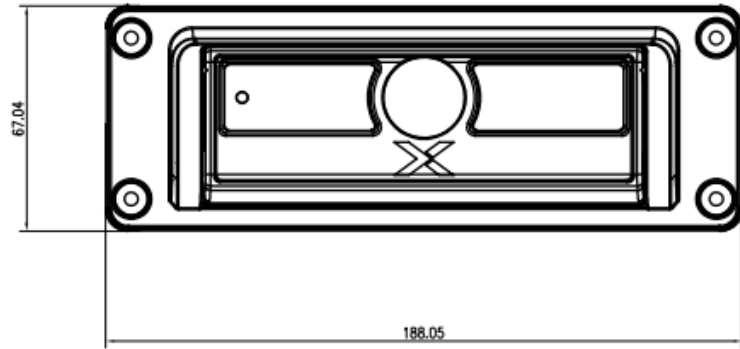
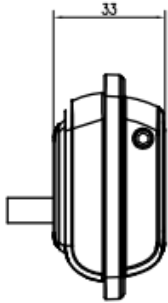
Power supply	PON (DC12V). Voltage range supported: 8-16V
Power consumption	< 5W

### Working environment

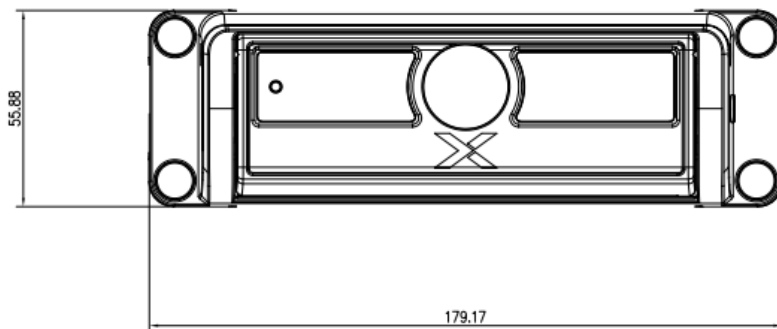
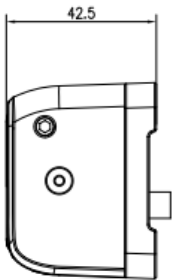
Working temperature	-30°C- + 70°C
Storage temperature	-40°C- +85°C
Humidity	0% - 90%

## Product dimensions

Embedded-mounted method (mm)



Top-mounted method (mm)



Sided-mounted method (mm)

