

Camera C10



Main Features

- ◆ 1.3M pixel CMOS
- ◆ 2.8MM \3.6MM \8MM optional
- ◆ Easy to assemble and install; lockable angle and anti-vibration design
- ◆ Application: stick to the front windshield(only available with a bevel greater than 60 degrees)

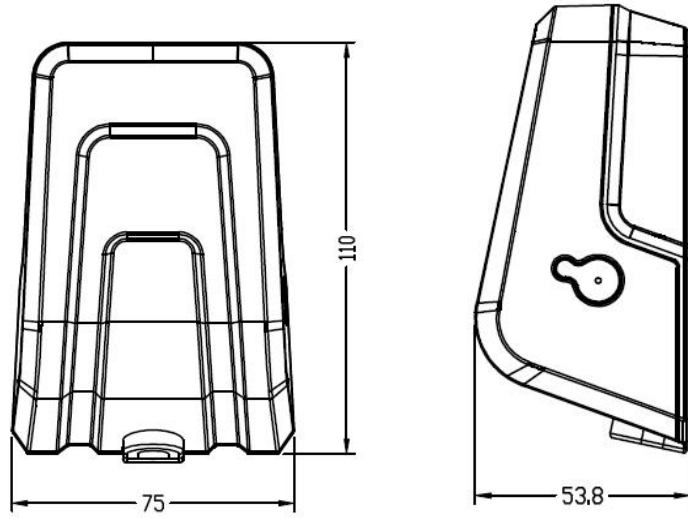
Overview

Streamax camera housing is made of metal and built to survive in rugged and vandal susceptible environments. Vibration and thermal tested, the powerful camera is an excellent choice for various mobile environments. Utilizing the Sony CMOS imaging sensor, it provides outstanding image quality in day lighting conditions.

Specification

Model	SVT-A6210B(AHD 720P)	SVT-A6220B(AHD 1080P)
CMOS	1/3" 1.3M pixel CMOS	1/2.8" 2.0M pixel CMOS
Resolution	1280H*720V	1920H*1080V
Format	NTSC/PAL	
Minimum illumination	0.05Lux	
S/N	52dB	45dB
Lens	2.8, 3.6mm M12(Optional)	2.8, 3.6, 8mm M12(Optional)
FOV	2.8mm H*V 88*50°	2.8mm H*V 98*52°
	3.6mm H*V 72*41°	3.6mm H*V 81*43°
		8mm H*V 36*20°
Video output	1.0Vp-p AHD video output 75 Ω, 4pin DIN JACK	
Power	DC12V± 10%	
Consumption(Max.)	60mA/DC12V ±5%	90mA/DC12V ±5%
Working temperature	-40°C ~ 70°C	
Dimension	110(L)*75(W)*53.8(H)mm	
Weight	About 195g	

Dimension (Unit: mm)



Solution Reference

