

Taxi Camera 1B-C6D



C6DM



C6DS

Features

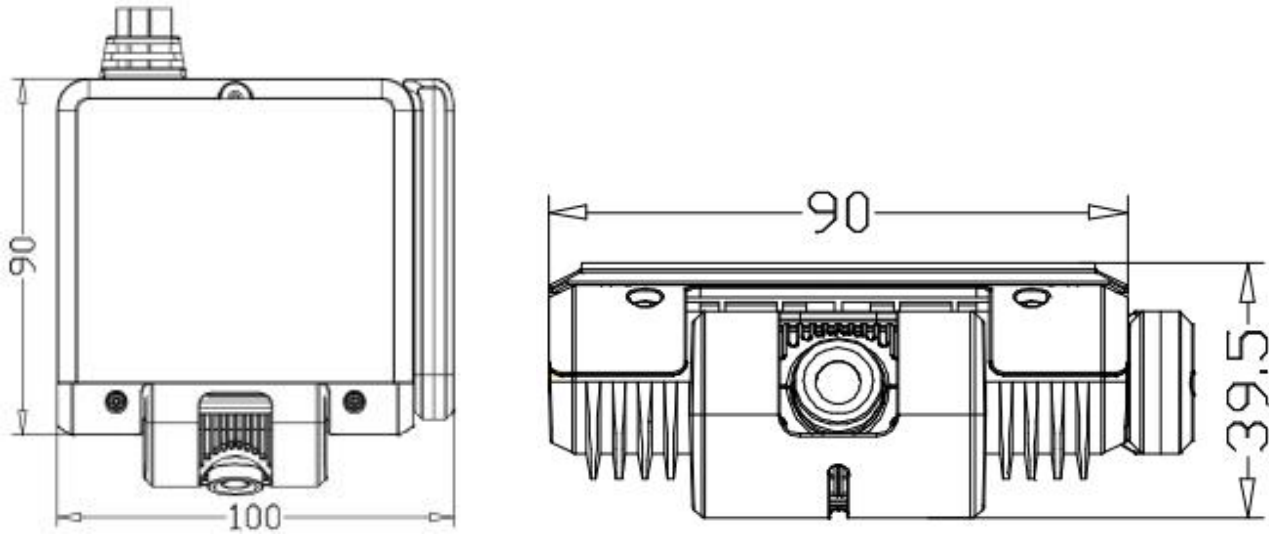
- Camera C6D consists two parts: recorder & external camera C6D-M, internal camera C6D-S;
- Supports 3G/4G, GPS, Bluetooth, WIFI, 6-axis...
- SD card recording storage (Max. Memory of each SD card 256GB);
- SD cards are kept in specific slots which are hard to be noticed with anti-theft design ;
- Adopts Aluminum shell, good heat dissipation;
- Compact size, light weight
- It supports glass paste installation at the rearview mirror, which is convenient and will not influence driver driving;
- The internal camera C6A is with infrared and audio function that can record clearly anything in the car, including the driver and passengers. The external camera can record what has happened in front of the car and can provide evidence if any accident occurs.

Specification

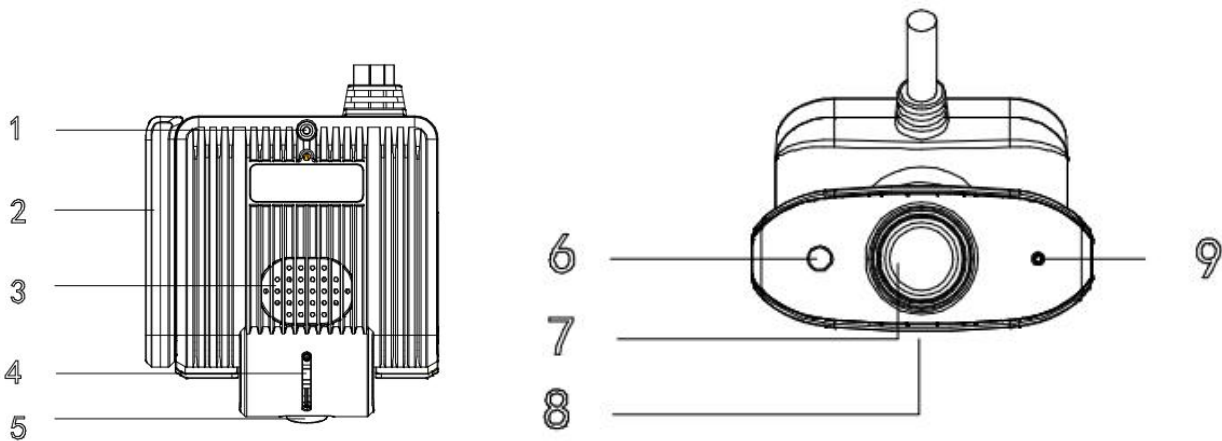
Series	C6D-M C6D-S	
Network	WIFI	Support, optional
	Bluetooth	Support, optional
	3G/4G	Support
Location	GPS	Support
Sensor	6-axis Sensor	Support, optional
	Vehicle pulse acquisition	Support
LED	It shows the device working status	
Storage	SD Card	SDXC64G/128G/256G optional
Audio/Video	A/V recording	Video: 2 channels Audio: 1 channel
	Main stream resolution and frame rate	Inside: 720P @ 30fps Outside: 1080P @ 30fps
	Max.	Main stream stream 1080P @ 30 frames + 720P @ 30 frames, 2 ways sub-stream VGA @ 30 frames
	Image setting	Brightness, Chroma, Contrast, saturation and sharpness
	Video coding	H.264 Baseline Profile/H.264 Main Profile Baseline
	Video compression bit rate	C6D-M: 500Kbps ~ 6Mbps

		C6D-S: 500Kbps ~ 6Mbps
	Audio compression standard	ADPCM
	Audio compression rate	4 : 1
	General function	Heartbeat mechanism, multi-level user management
	Intelligent alarm	Not support
	CBR / VBR	Support
	Audio input	Support
	Built-in speaker	Built-in speakers for broadcasts, prompting drivers or passengers
	Video	Support boot video, alarm video, regular video
Camera parameters	Sensor(inside vehicle)	1/3" 1.23M pixel CMOS Sensor
	Sensor(outside vehicle)	1/2.9" 2M pixel CMOS Sensor
	Electronic Shutter	1/30Second-1/100000 Second
	Lens	Inside:2.3mm Outside:4mm
	Lens port	M12
	Day/Night IR-Cut	Inside: support Outside: not support
	Wide Dynamic Range	≥ 80db
	Black-light Compensation	Support
	S/N	≥ 48db
	IR distance	Inside: 3m Outside: not support
Ports	RS232/RS485	1 channel
	Alarm	2 channels
	SPEED	1 channel
	Power output	5VDC@200mA
Protocol	Network protocol	HTTP,TCP,ARP,UDP,FTP,DHCP,DNS,IPV4,NTP
Power	Built-in battery	Optional. It supports dormancy uploading for more than one hour. It supports about 10 minutes to upload photos and recording when sudden power off.
	Normal power consumption	6W
	Dormancy	Supports dormancy uploading
	Power consumption	Less than 9W
Others	Temperature	-40°C~+70°C
	Humidity	0% - 90%

Dimension (Unit: mm)



Definition



Items	Definition	Items	Definition
1	Fixing screw of cover	6	Photosensitive area
2	Bluetooth & WIFI	7	C6D-S lens (towards inside)
3	Speaker	8	Fixing screw of C6D-S
4	Fixing screw of C6D-M	9	MIC
5	C6D-M lens (towards outside)		