

MDVR-M1-H0401(AHD)

Mobile Digital Video Recorder**Main Features**

- ◆ Supports 4 channels AHD+1 channel 720P
- ◆ Supports dual SD cards for main recording
- ◆ Supports GPS for location tracking
- ◆ Supports 360 degree anti-vibration
- ◆ Supports USB2.0 high speed backup
- ◆ Supports data recovery technology

Overview

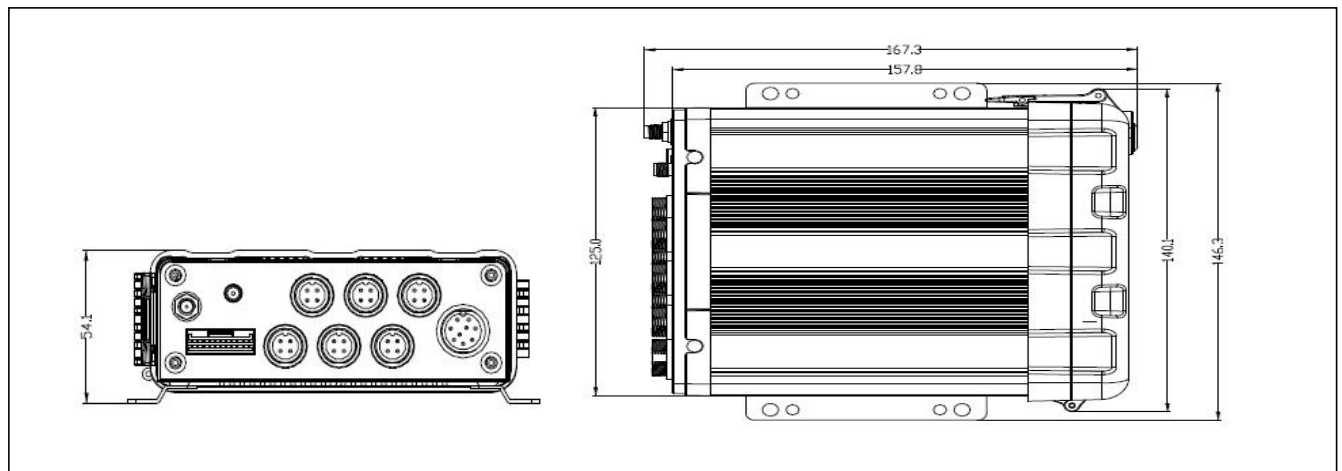
M1-H0401 is a functional Mobile Digital Video Recorder specially designed for vehicle video surveillance. It has a high-speed processor and embedded operating system, combining with the most advanced H.264 video compression / decompression technology, as well as GPS positioning technology. It supports not only video recording in 720P, WD1, HD1 and CIF formats, but also vehicle travel information recording and local playback & analysis. It is powerful with flexible installation, easy maintenance and high reliability.

Specification

Function Overview		Preview, Recording, Playback, Locating
System	OS	Linux 3.0.8
	Control Mode	Easy Check, CP4, Mouse
Video	Input	4 channels AHD+1 channel 720P
	Output	1 channel
	Total Resource	PAL: (4x25)FPS WD1+30FPS 720P(IPC) or (4x12)FPS 720P(AHD)+30FPS 720P(IPC) NTSC: (4x30)FPS WD1 +30FPS 720P or (4x15)FPS 720P(AHD)+30FPS 720P(IPC)
	Video Signal Standard	Electrical level: 1Vpp Impedance : 75Ω NTSC/PAL Optional
Audio	Input	5channels (1 channel IPC audio input)
	Output	1channel
	Audio Signal Standard	Electrical level: 2Vpp Input impedance: 4.7kΩ
Display	Display Split	1/4/9
	OSD	GPS information, alarm, vehicle No., speed, date/time
	Operation Interface	Semi-transparent GUI
Recording	Video/Audio Compression	Video: H.264
		Audio: ADPCM
	Image Resolution	Analog: PAL: 720P(1280X720), WD1(928X576), WHD1(928X288), WCIF(464X288), D1(704X576), HD1(704x288), CIF(352x288); NTSC: 720P(1280X720), WD1(928X480), WHD1(928X240), WCIF(464X240), D1(704x480), HD1(704x240), CIF(352x240); Digital: 720P(1280X720);
		Image Quality
	Recording Mode	Boot up/Schedule/Alarm
	Pre-recording	0-60minutes
	Post-recording	0-30 minutes
	Mirror/Dual Recording	Support
Playback	Playback Channel	1 channel by local playback
	Search Mode	Date/time, channel, event

	IPC Ethernet	6-pin M12(10/100M x 1, PON power supply)
Locating	GPS	Location tracking, speed detection and time sync
Storage	SD Card	Max. support 256GB SD card, SD card x 2
Interface	USB	USB2.0 x 1
	RS232	RS232 x 1
	Sensor	8 inputs, 2 outputs
	Speed	1 channel pulse speed detection
	Intercommunication	I mic interface
	Interface	CP4 Optional
Power	Input	DC8-36V, Ignition signal
	Output	5V@500mA
	Max Power Consumption	29W
	Standby Power Consumption	≈0W
Others	Water Proof Rate	IP54

Dimension (mm)



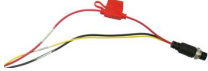




Physical Characteristic	Dimension (L × W × H)	167.3mm x 146.3 mm x 54.1mm
	Weight	0.83Kg
Environment	Operating Temperature	-40°C~ +70°C
	Operating Relative Humidity	8%-90% (No Condense)

PC Software



Standard accessories

Accessories	Description	Quantity	Accessories	Description	Quantity
	Vehicle fuses (7.5A and 15A)	2		Remote controller	1
	9 pin aviation power input wire	1		Screws	6
	MDVR key	1			

Optional accessories

Accessories	Description	Accessories	Description
	UPS3.0		Card reader
	Inertia sensor		LED panel
	Easy Check		Multi-functional displayer CP4
	6pin aviation head transforming to RJ45		On - Board Diagnostics
	GPS module and Antenna		Serial alarm wire
	Back cover		Serial expansion box
	Video transforming wire		Serial transforming wire